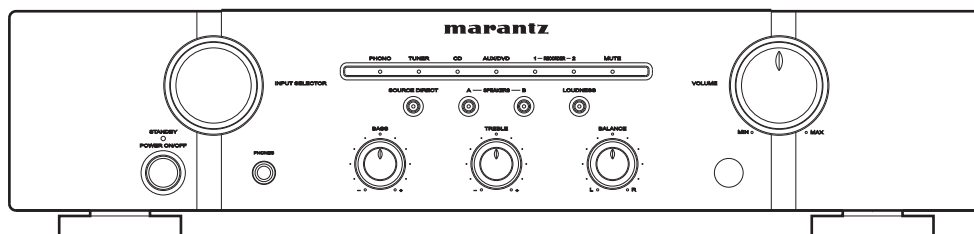


Service Manual

PM6003 /N1SG/K1SG/N1B

Integrated Amplifier



PM6003

TABLE OF CONTENTS

SECTION	PAGE
1. TECHNICAL SPECIFICATIONS.....	1
2. IDLING CURRENT ALIGNMENT.....	2
3. SERVICE MODE.....	3
4. WIRING DIAGRAM.....	5
5. BLOCK DIAGRAM.....	7
6. SCHEMATIC DIAGRAM.....	9
7. PARTS LOCATION.....	13
8. EXPLODED VIEW AND PARTS LIST.....	21
9. MICROPROCESSOR AND IC DATA.....	25
10. ELECTRICAL PARTS LIST.....	28
11. ABOUT REPLACE THE MICROPROCESSOR WITH A NEW ONE.....	47

Please use this service manual with referring to the user guide (D.F.U.) without fail.
修理の際は、必ず取扱説明書を準備し操作方法を確認の上作業を行ってください。

marantz®

PM6003

MARANTZ DESIGN AND SERVICE

Using superior design and selected high grade components, **MARANTZ** company has created the ultimate in stereo sound. Only original **MARANTZ** parts can insure that your **MARANTZ** product will continue to perform to the specifications for which it is famous.

Parts for your **MARANTZ** equipment are generally available to our National Marantz Subsidiary or Agent.

ORDERING PARTS :

Parts can be ordered either by mail or by Fax.. In both cases, the correct part number has to be specified.

The following information must be supplied to eliminate delays in processing your order :

1. Complete address
2. Complete part numbers and quantities required
3. Description of parts
4. Model number for which part is required
5. Way of shipment
6. Signature : any order form or Fax. must be signed, otherwise such part order will be considered as null and void.

USA

MARANTZ AMERICA, INC
100 CORPORATE DRIVE
MAHWAH, NEW JERSEY 07430
USA

EUROPE / TRADING

D&M EUROPE B. V.
P. O. BOX 8744, BUILDING SILVERPOINT
BEEMDSTRAAT 11, 5653 MA EINDHOVEN
THE NETHERLANDS
PHONE : +31 - 40 - 2507844
FAX : +31 - 40 - 2507860

CANADA

D&M Canada Inc.
5-505 APPLE CREEK BLVD.
MARKHAM, ONTARIO L3R 5B1
CANADA
PHONE : 905 - 415 - 9292
FAX : 905 - 475 - 4159

JAPAN

D&M Holdings Inc.
D&M BUILDING, 2-1 NISSHIN-CHO,
KAWASAKI-KU, KAWASAKI-SHI,
KANAGAWA, 210-8569 JAPAN

株式会社 ディーアンドエムホールディングス

本 社 〒210-8569
神奈川県川崎市川崎区日進町2-1 D&Mビル



KOREA

D&M SALES AND MARKETING KOREA LTD.
CHUNG JIN B/D., #1001,
53-5, WONHYORO 3 GA, YONGSAN-GU,
SEOUL, 140-719, KOREA
PHONE : +82 - 2 - 323 - 2155
FAX : +82 - 2 - 323 - 2154


CHINA

D&M SALES AND MARKETING SHANGHAI LTD.
ROOM.808 SHANGHAI AIRPORT CITY TERMINAL
NO.1600 NANJING (WEST) ROAD, SHANGHAI,
CHINA. 200040
TEL : 021 - 6248 - 5151
FAX : 021 - 6248 - 4434

NOTE ON SAFETY :

Symbol  Fire or electrical shock hazard. Only original parts should be used to replaced any part marked with symbol 
. Any other component substitution (other than original type), may increase risk of fire or electrical shock hazard.

安全上の注意 :

 がついている部品は、安全上重要な部品です。必ず指定されている部品番号のものを使用して下さい。

SHOCK, FIRE HAZARD SERVICE TEST :

CAUTION : After servicing this appliance and prior to returning to customer, measure the resistance between either primary AC cord connector pins (with unit NOT connected to AC mains and its Power switch ON), and the face or Front Panel of product and controls and chassis bottom.

Any resistance measurement less than 1 Megohms should cause unit to be repaired or corrected before AC power is applied, and verified before it is return to the user/customer.

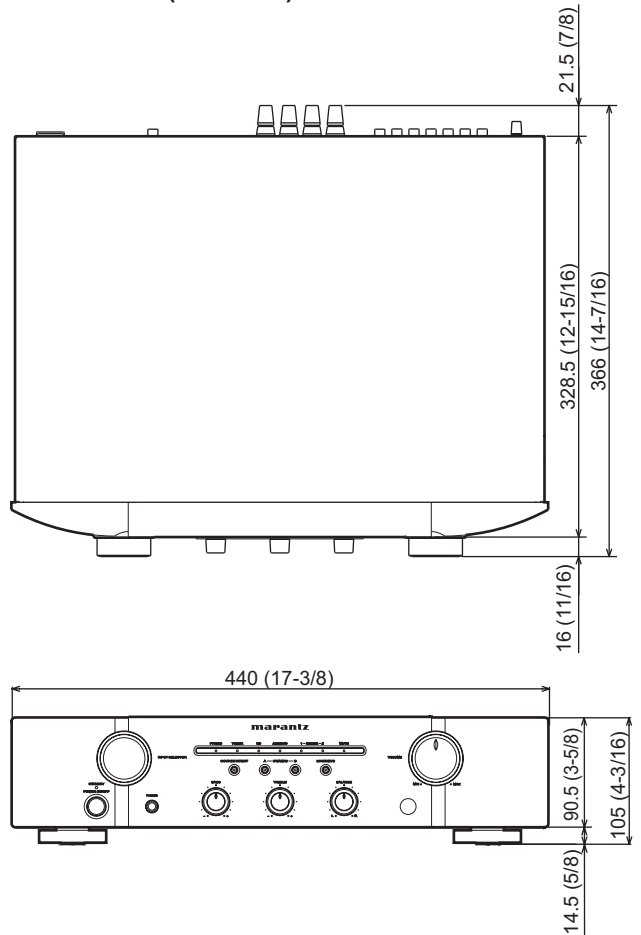
Ref. UL Standard No. 60065.

In case of difficulties, do not hesitate to contact the Technical
Department at above mentioned address.

1. TECHNICAL SPECIFICATIONS

- RMS Power output
(20 Hz – 20 kHz simultaneous drive of both channels)
- 45 W x 2 (8 Ω load)
 - 60 W x 2 (4 Ω load)
- Headphone rated output
(When speaker rated output set to 8 Ω load)
- 160mW (32 Ω load)
- Total harmonic distortion
(1 kHz simultaneous drive of both channels, 8 Ω load)
- 0.08 %
- Output band width (8 Ω load, 0.08 %) 10 Hz – 50 kHz
- Frequency response (CD, 1 W, 8 Ω load)
- 10 Hz – 70 kHz +0 dB, -1 dB
- Dumping factor (8 Ω load, 100 Hz – 10 kHz)..... 100
- Input sensitivity/Input impedance
- PHONO (MM).....2.2 mV/47 kΩ
 - CD, LINE, TUNER, AUX/DVD, RECORDER
 -200 mV/20 kΩ
- Maximum allowable PHONO input level (1 kHz)
- MM 100 mV
 - RIAA deviation (20 Hz ~ 20 kHz) ±0.5 dB
- S/N (IHF-A, 1 W, 8 Ω load)
- PHONO (MM)..... 84 dB (5 mV input)
 - CD, LINE, TUNER, AUX/DVD, RECORDER
 - 87 dB (500 mV input)
- Tone control
- Bass (100 Hz) ±10 dB
 - Treble (10 kHz) ±10 dB
- Power requirementAC 230 V 50/60 Hz
- Power consumption (EN60065)..... 150 W
- Standby power consumption0.4 W
- Accessories
- Remote controller (RC003PM)..... 1
 - AAA batteries 2
 - Detachable AC power cable..... 1

Dimensions (unit: mm)



Weight : 7.5 kg

2. IDLING CURRENT ALIGNMENT

Adjust the Idling Current with the variable resistor VR31 and VR32 on the PWB.

CONTROLS SETTING :

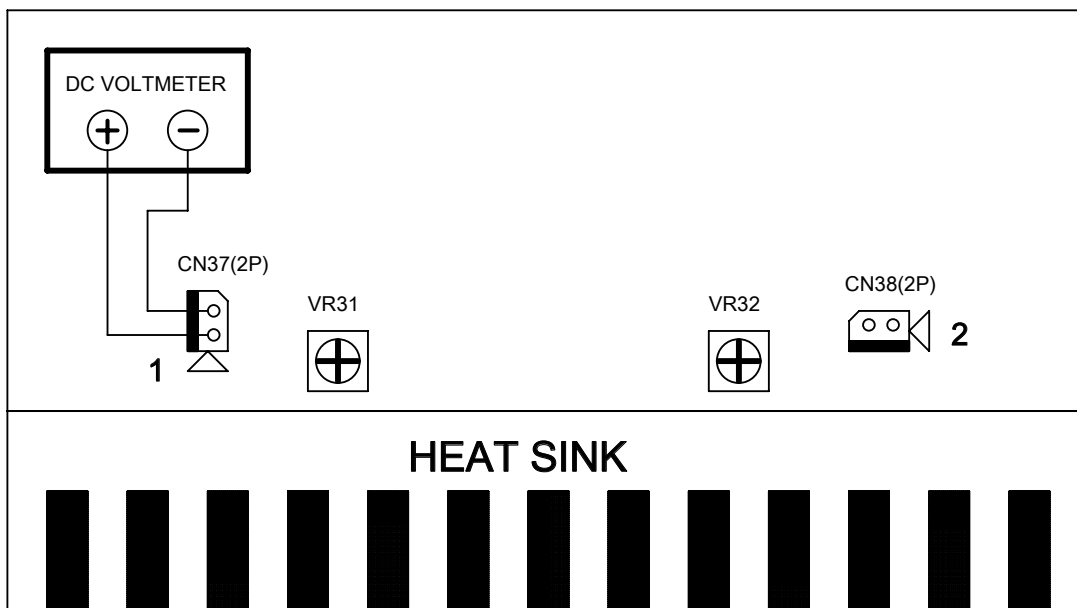
VOLUME : MINIMUM POSITION
SPEAKER OUT : NO LOAD

2. アイドリング電流調整

基板上(下図)の半固定抵抗VR31とVR32でアイドル電流を調整します

セッティング :

VOLUME : MIN 位置
SPEAKER OUT : 接続しない



DC voltmeter.....Connect to CN3x

NO.	Channel	Measurement Point	Alignment Point
1	Front Left	CN37	VR31
2	Front right	CN38	VR32

Time Table of Idling Current Rise

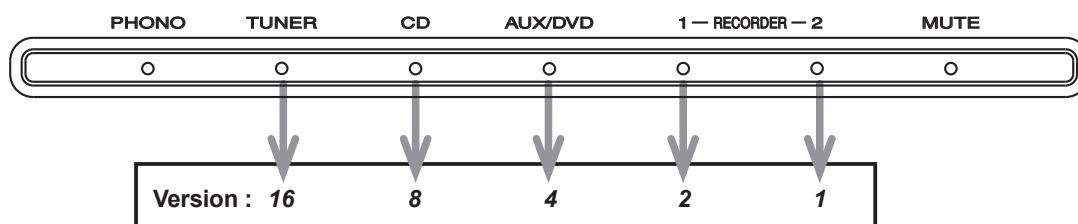
After Turning ON	Measurement Voltage (CN37 & CN38)
5 min	2 mV ± 0.2 mV
10 min	2 mV ± 0.2 mV
20 min	2 mV ± 0.2 mV
30 min	2 mV ± 0.2 mV
40 min	2 mV ± 0.2 mV
50 min	2 mV ± 0.2 mV
60 min	2 mV ± 0.2 mV

3. SERVICE MODE

Microprocessor (IC61) version check

Operate by using the supplied Remote controller (RC003PM).

1. Press the **POWER** button to turn on the unit.
2. Press **TAPE (RECORDER 2)** button and press **5, 0, 0, 3** button on the remote controller.
(Please each button within 5 seconds)
3. The firmware version is displayed on the front LED.
(Display time is only for 3 seconds.)



The firmware version is displayed in the lighting position of LED.

Ex. :

- Light up RECORDER-2 [1], **Version : 1**
- Light up RECORDER-2 [1] and AUX/DVD [4], **Version : 5**
- Light up RECORDER-2 [1] and CD [8], **Version : 9**

4. Each LED light up then all LED light up.
5. Turn off the power to quit Service Mode.
(The unit to the default status)

3. SERVICE MODE

Microprocessor (IC61) VERSION 確認

操作は付属リモコン(RC003PM)を使用します。

1. **POWER** ボタンを押し、本体の電源をいれます。
2. リモコンの **TAPE (RECORDER 2)**, **5, 0, 0, 3** ボタンを順に押します。
(各ボタンは5秒以内に押してください)
3. **FIRMWARE** のバージョンがLEDにて表示されます。
(表示は3秒間のみです)

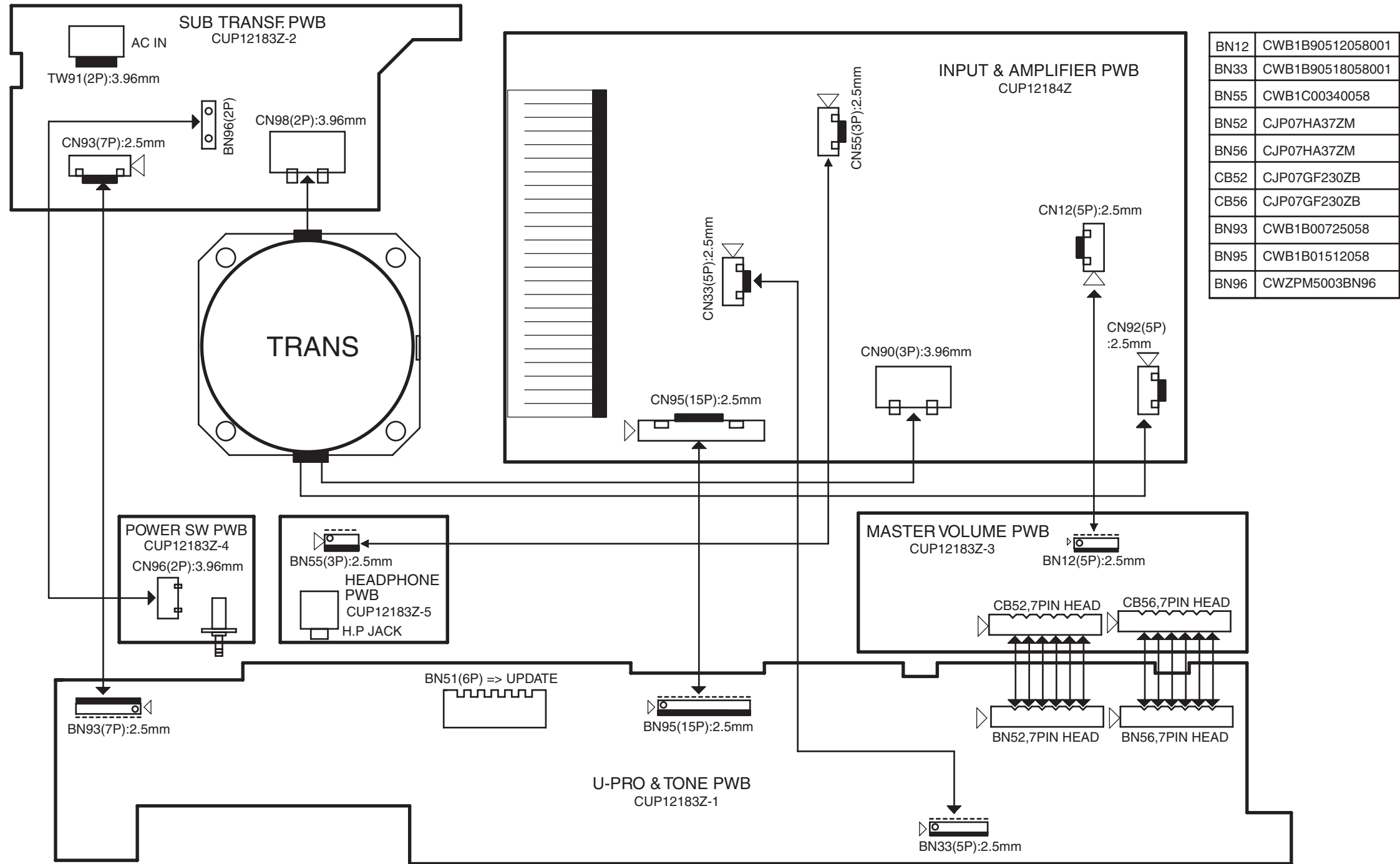
LEDが点灯している箇所がバージョン表示です。

表示例 :

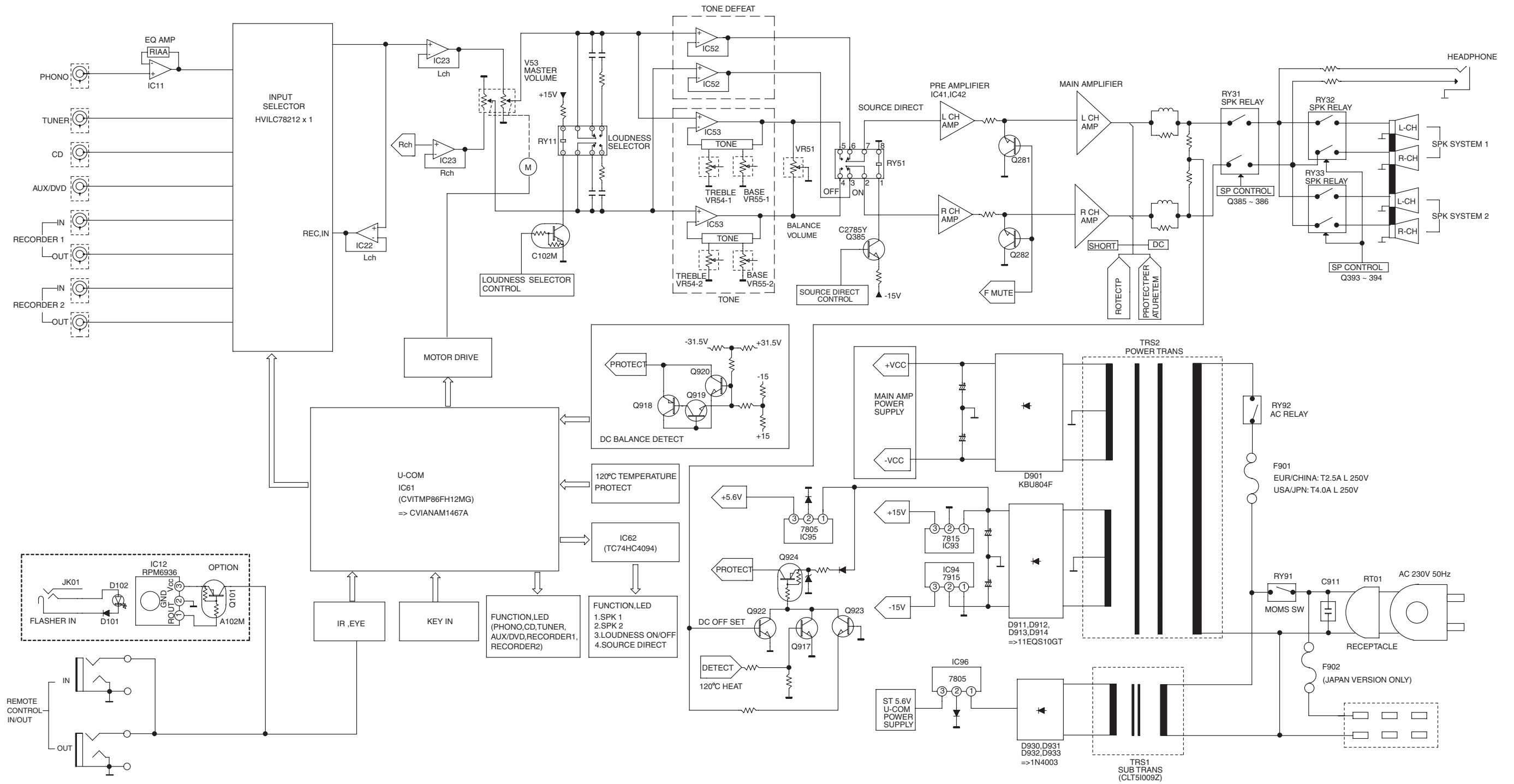
- 点灯 RECORDER 2 [1], **Version : 1**
- 点灯 RECORDER 2 [1] and AUX/DVD [4], **Version : 5**
- 点灯 RECORDER 2 [1] and CD [8], **Version : 9**

4. フロントパネルのLEDが順次点灯し、その後全点灯します。
5. 電源を切るとSERVICEモードが解除されます。
(本機は、各種設定された内容が初期化され、工場出荷時の状態に戻ります)

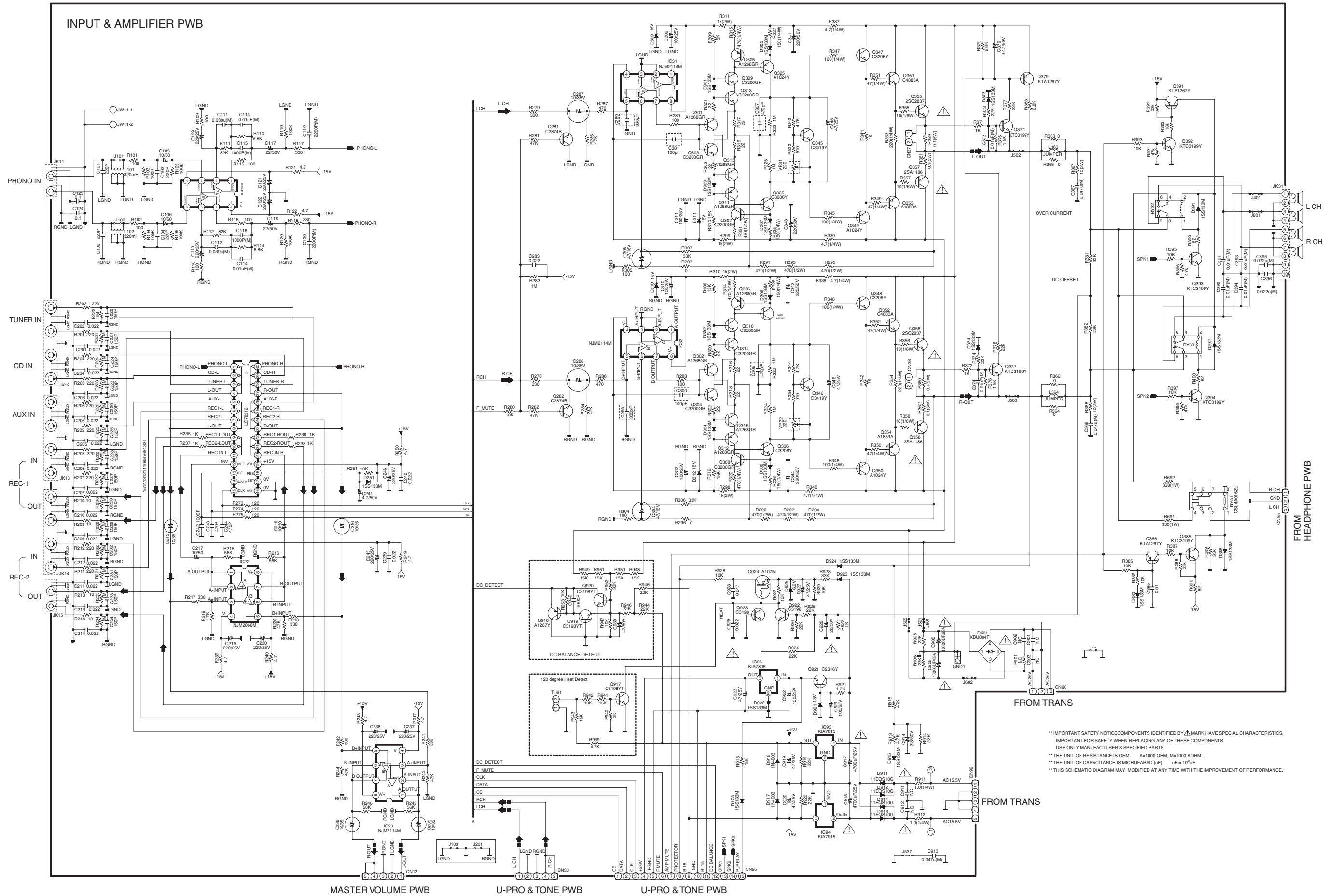
4. WIRING DIAGRAM



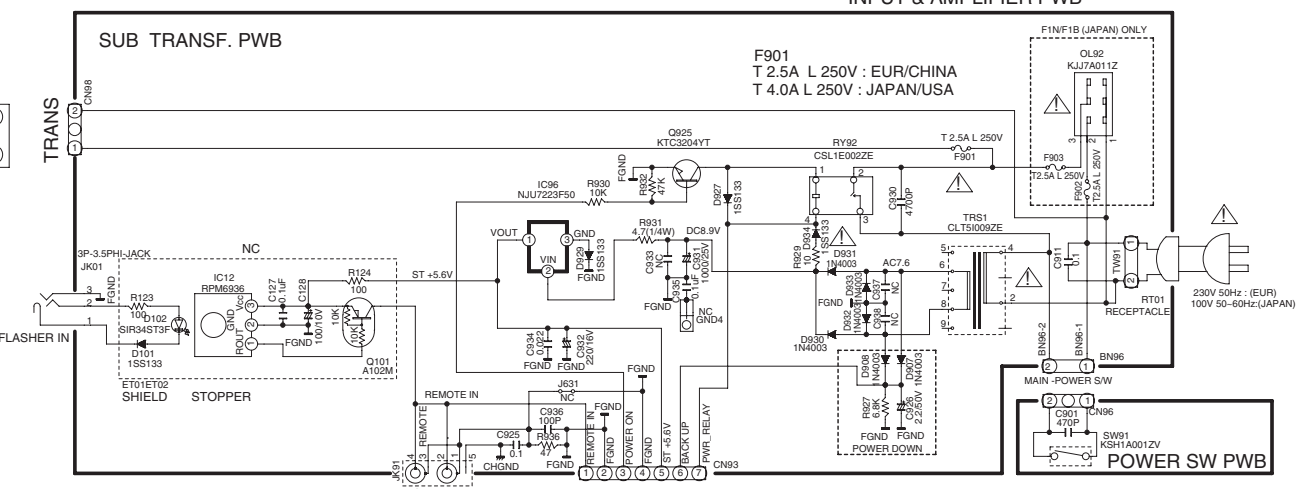
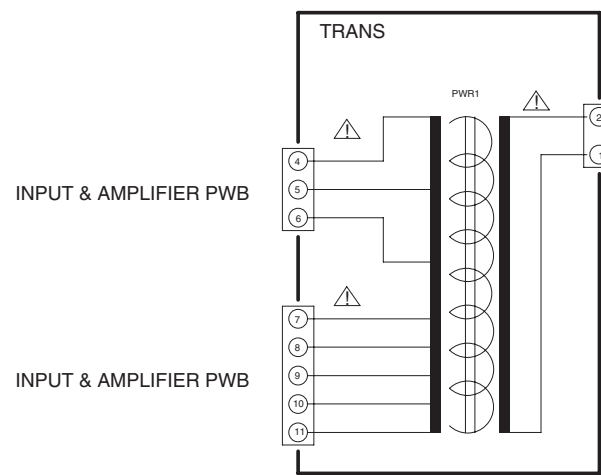
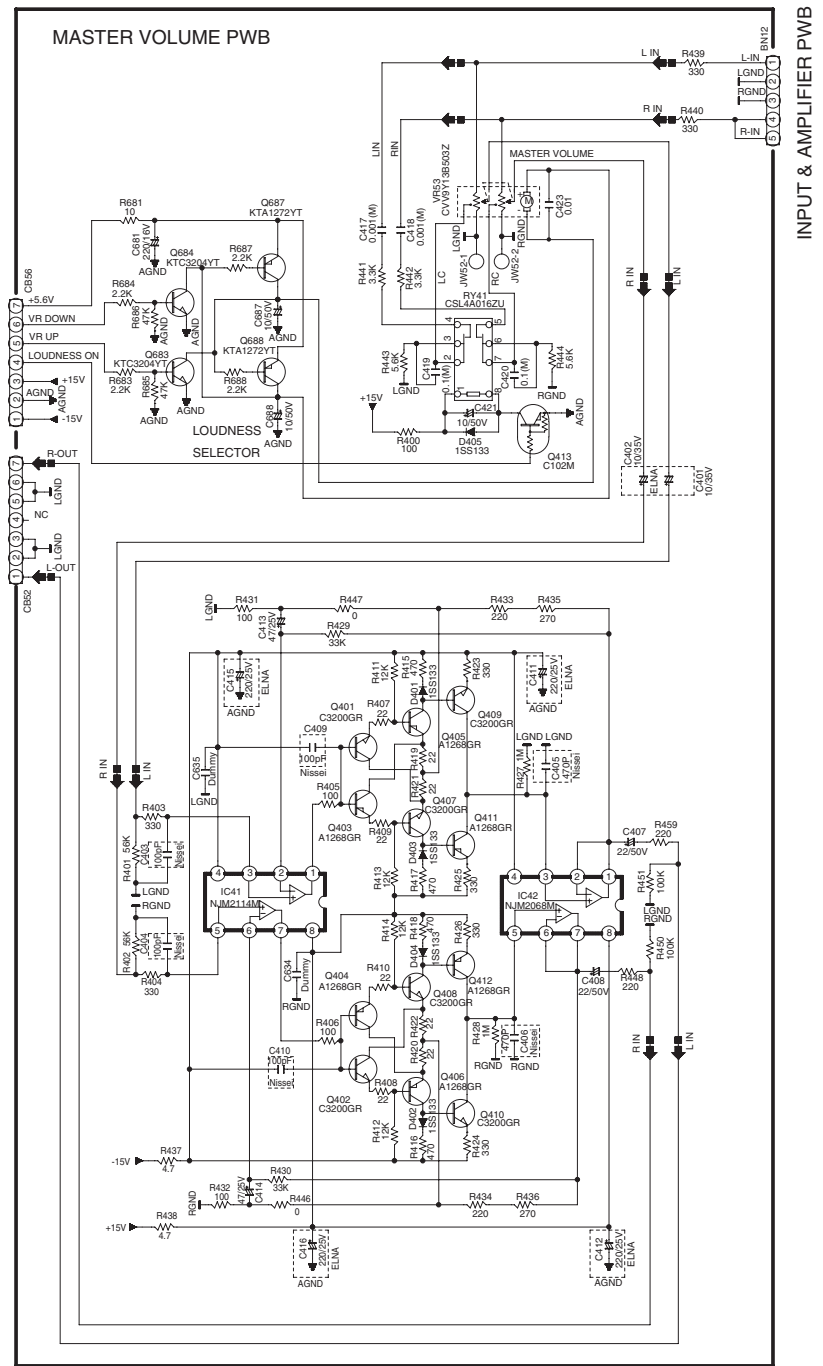
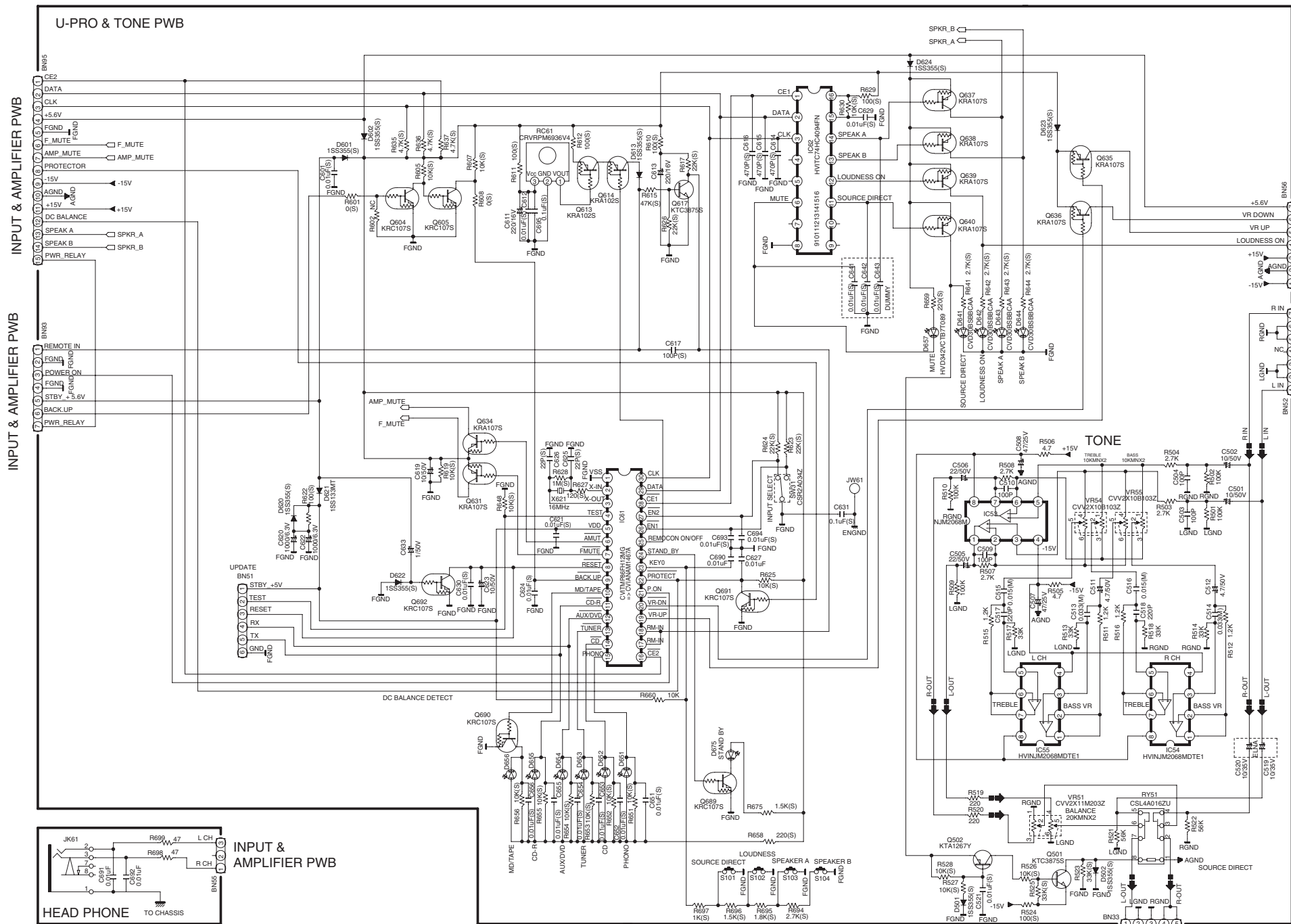
5. BLOCK DIAGRAM



6. SCHEMATIC DIAGRAM



** IMPORTANT SAFETY NOTICE: COMPONENTS IDENTIFIED BY Δ MARK HAVE SPECIAL CHARACTERISTICS.
 IMPORTANT FOR SAFETY: WHEN REPLACING ANY OF THESE COMPONENTS
 USE ONLY MANUFACTURER'S SPECIFIED PARTS.
 * THE UNIT OF RESISTANCE IS OHM, K=1000 OHM, M=1000 KOHM.
 * THE UNIT OF CAPACITANCE IS MICROFARAD (UF), $\mu F = 10^{-6} F$.
 * THIS SCHEMATIC DIAGRAM MAY MODIFIED AT ANY TIME WITH THE IMPROVEMENT OF PERFORMANCE.



** IMPORTANT SAFETY NOTICE: COMPONENT IDENTIFIED BY MARK HAVE SPECIAL CHARACTERISTICS. IMPORTANT FOR SAFETY. WHEN REPLACING ANY OF THESE COMPONENTS USE ONLY MANUFACTURER'S SPECIFIED PARTS.

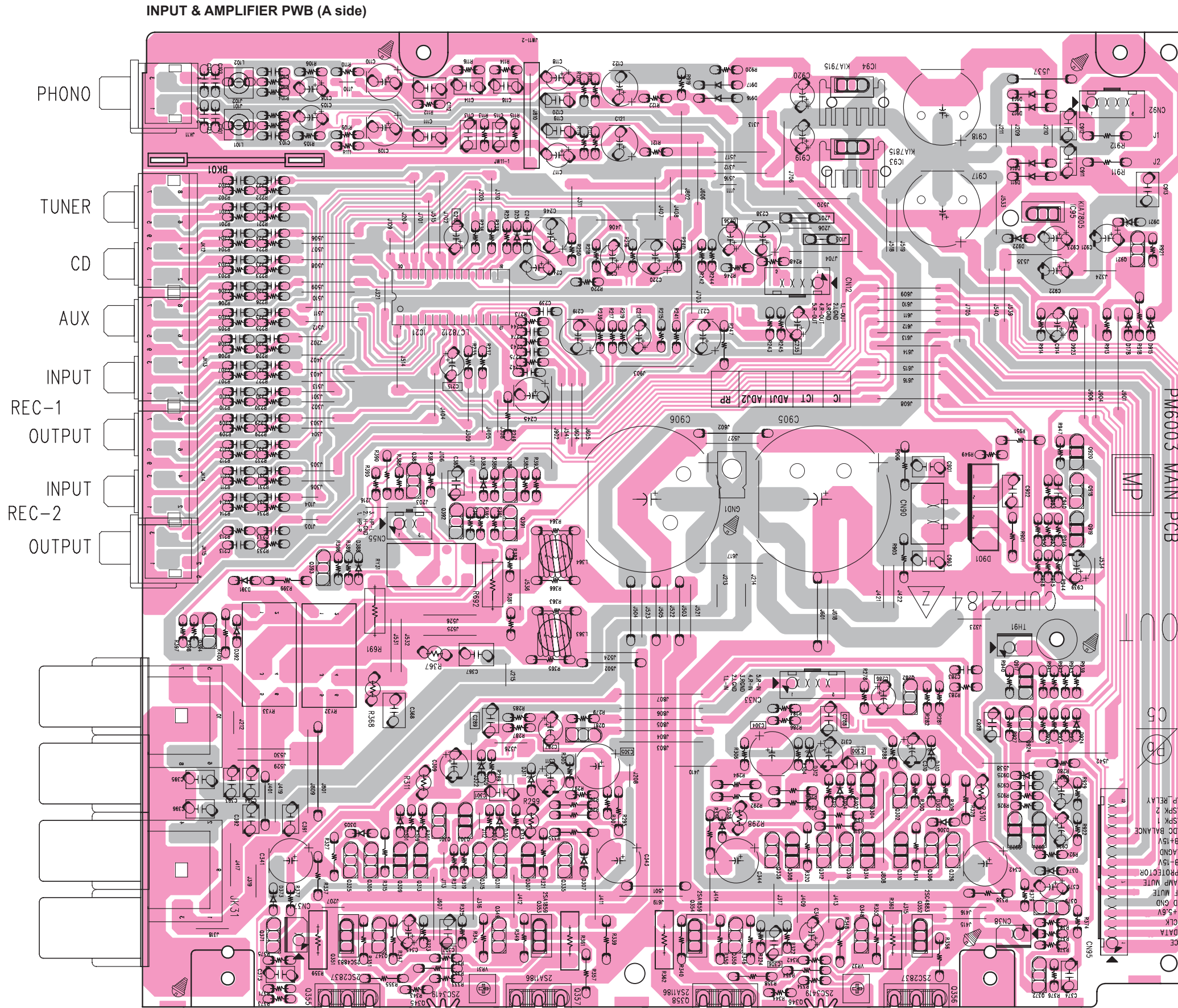
** THE UNIT OF RESISTANCE IS OHM.
K = 1000 OHM, M = 1000K OHM.

** THE TYPE OF RESISTOR & CAPACITOR.
(S): MEANS SMD 1608SIZE TYPE, 100(S): 100 OHM, 1608 SIZE

** THE UNIT OF CAPACITANCE IS MICROFARAD (uF)
pF = 10^-6

** THIS SCHEMATIC DIAGRAM MAY BE MODIFIED AT ANY TIME WITH THE IMPROVEMENT OF PERFORMANCE.

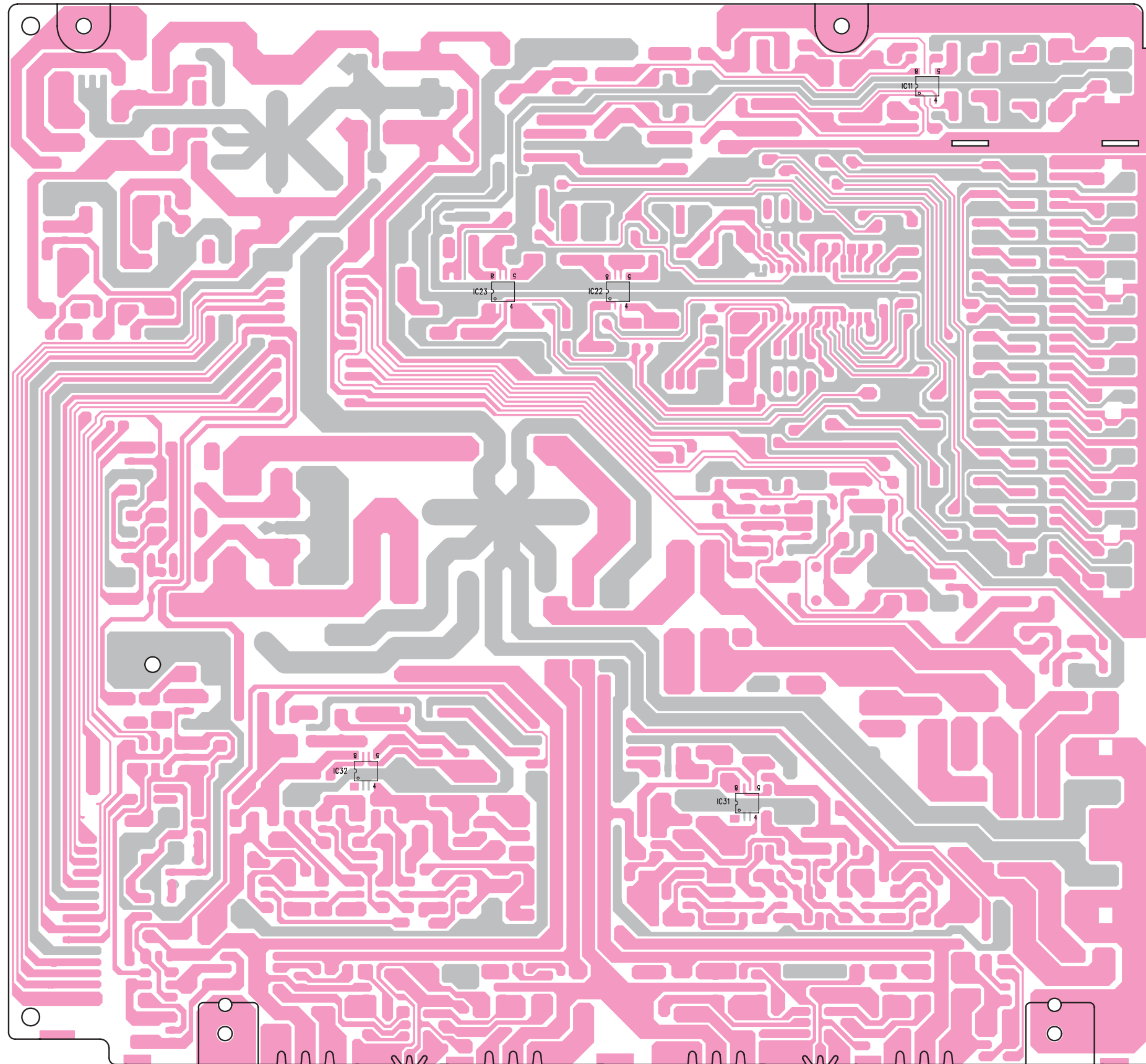
7. PARTS LOCATION



鉛フリー半田
半田付けには、鉛フリー半田 (Sn-Ag-Cu) を使用してください。

Lead-free Solder
When soldering, use the Lead-free Solder (Sn-Ag-Cu).

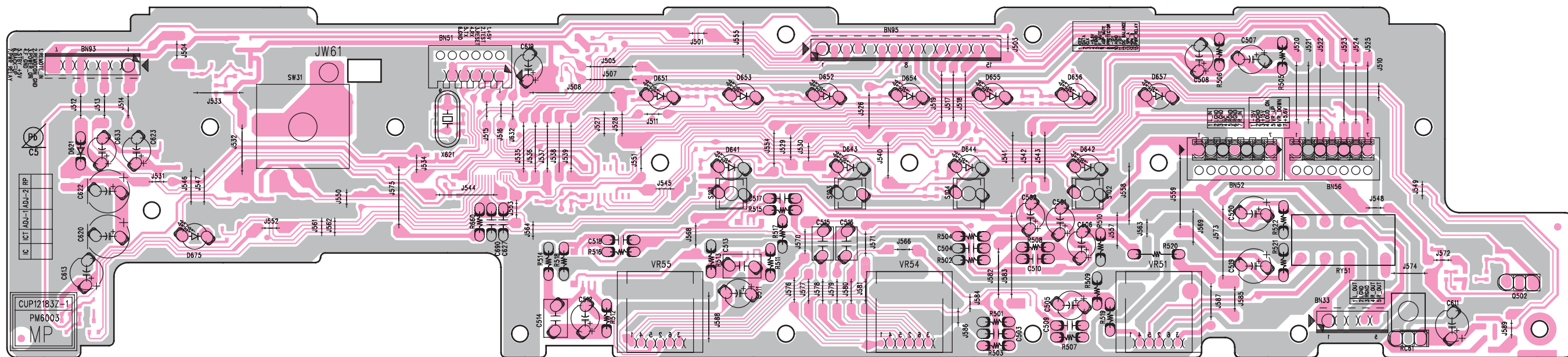
INPUT & AMPLIFIER PWB (B side)



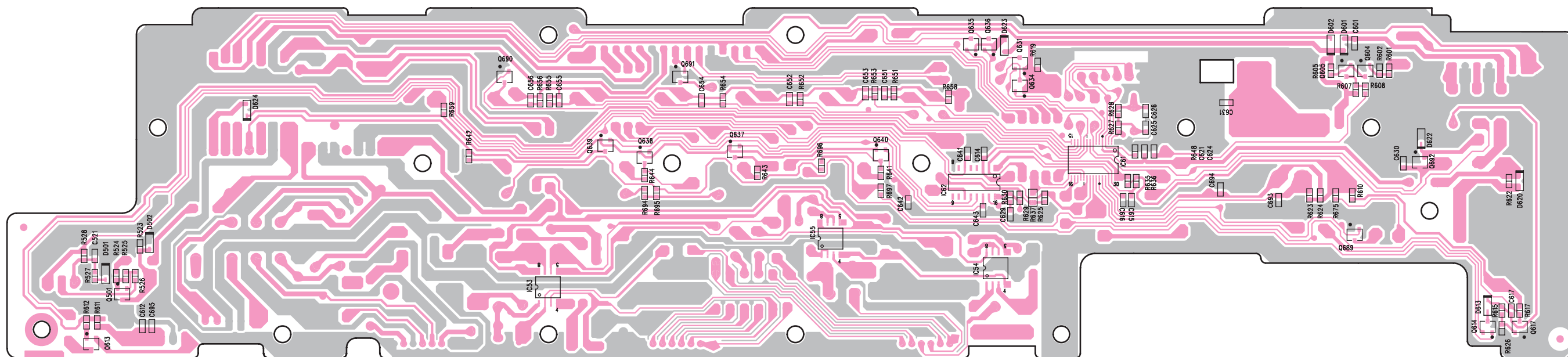
鉛フリー半田
半田付けには、鉛フリー半田 (Sn-Ag-Cu) を使用してください。

Lead-free Solder
When soldering, use the Lead-free Solder (Sn-Ag-Cu).

U-PRO & TONE PWB (A side)

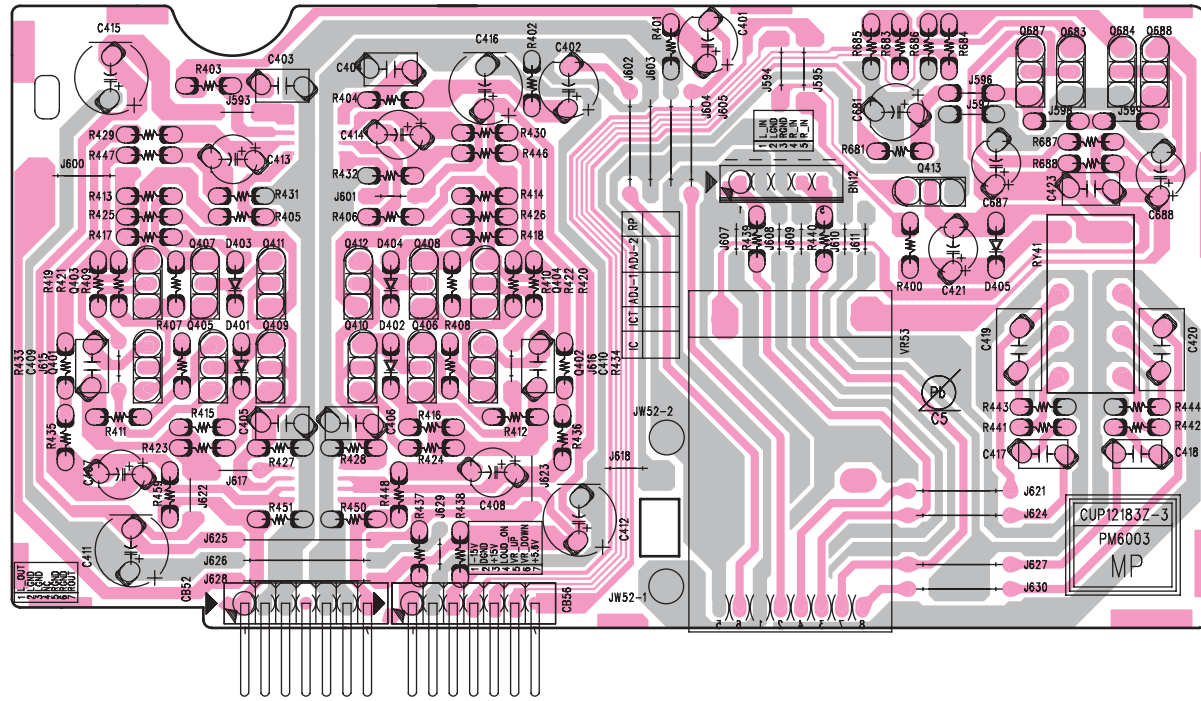


U-PRO & TONE PWB (B side)

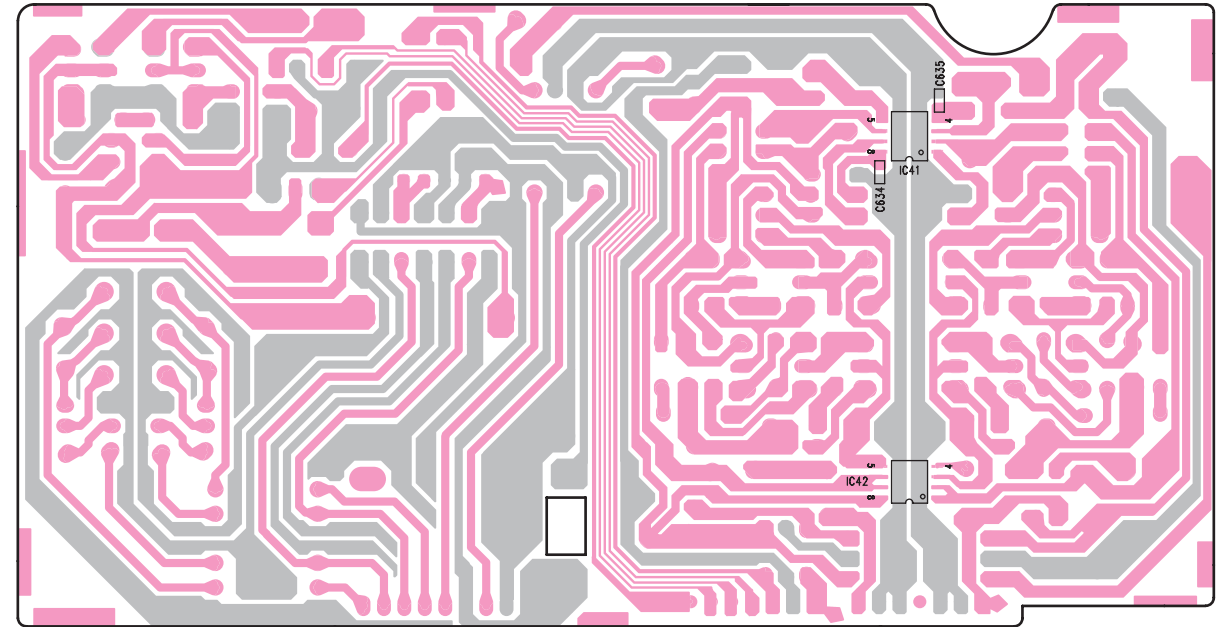


鉛フリー半田
半田付けには、鉛フリー半田 (Sn-Ag-Cu) を使用してください。
Lead-free Solder
When soldering, use the Lead-free Solder (Sn-Ag-Cu).

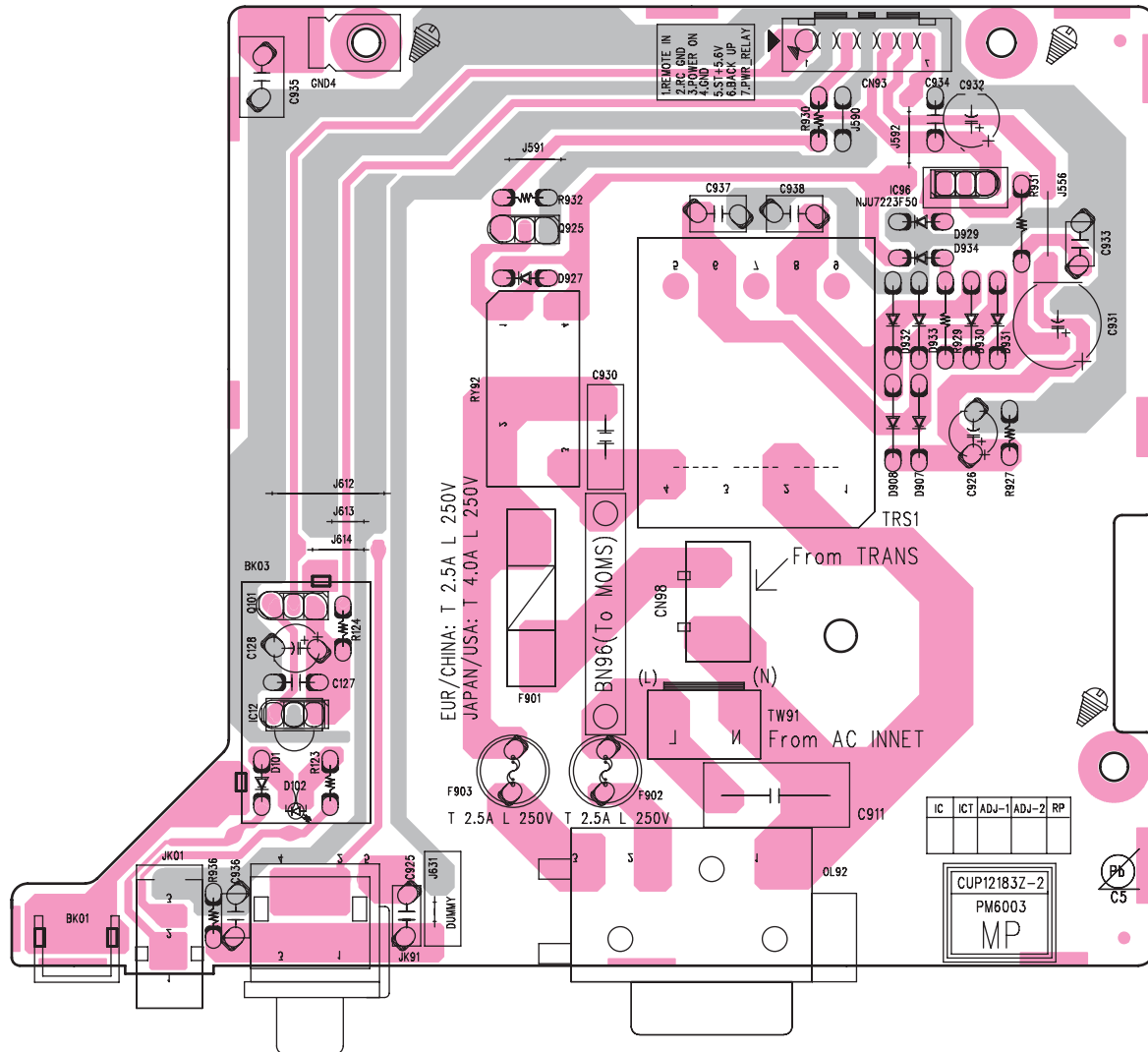
MASTER VOLUME PWB (A side)



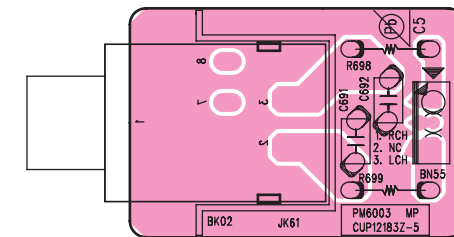
MASTER VOLUME PWB (A side)



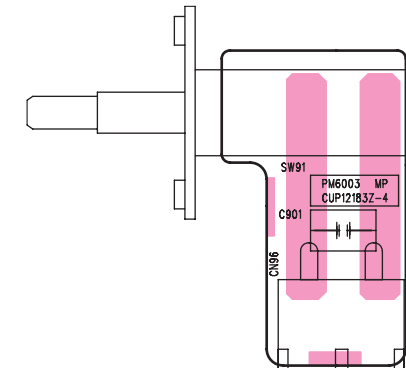
SUB TRANSF. PWB (A side)



HEADPHONE PWB (A side)



POWER SW PWB (A side)

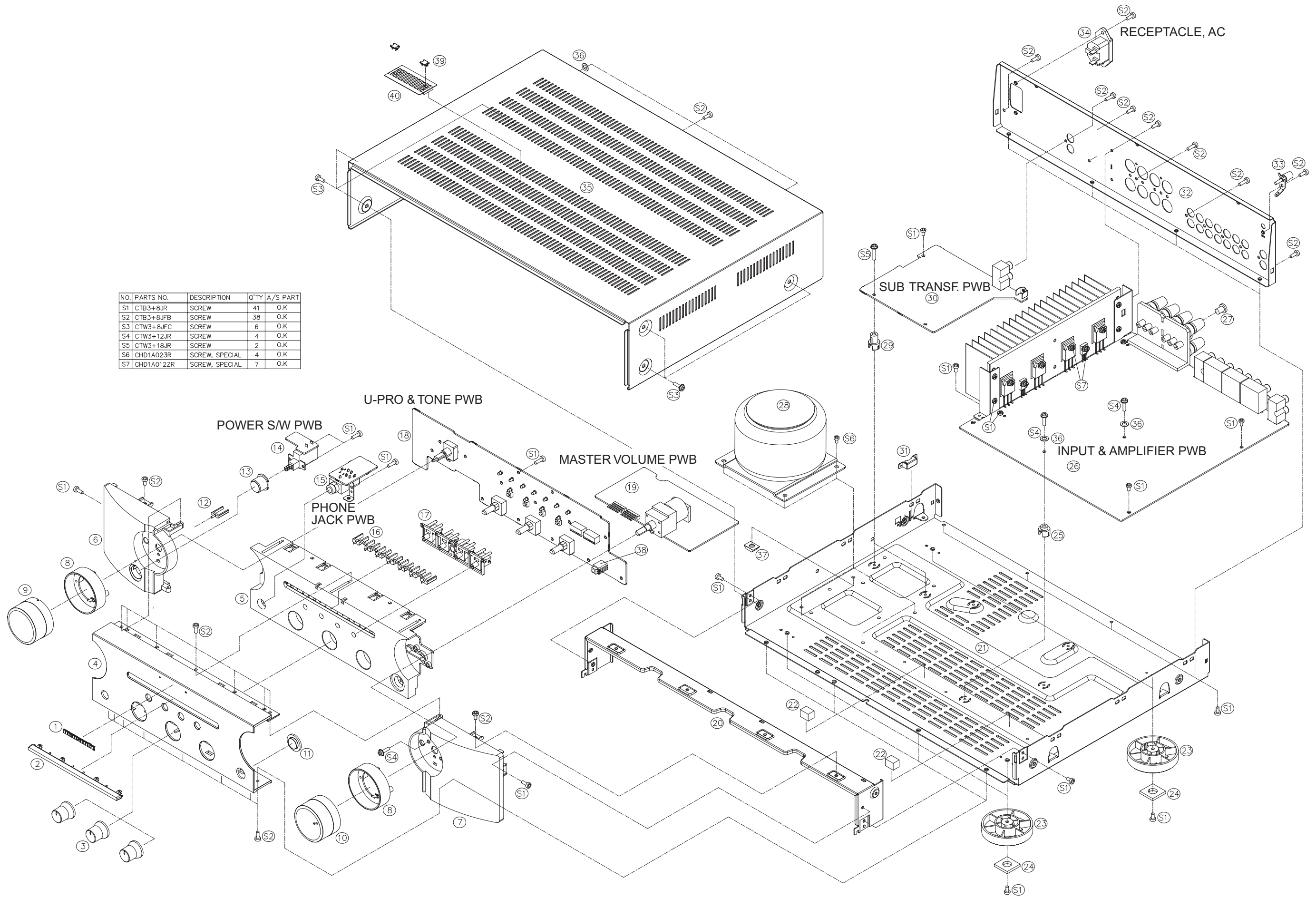


鉛フリー半田
半田付けには、鉛フリー半田 (Sn-Ag-Cu) を使用してください。

Lead-free Solder
When soldering, use the Lead-free Solder (Sn-Ag-Cu).

8. EXPLODED VIEW AND PARTS LIST

NO.	PARTS NO.	DESCRIPTION	Q'TY	A/S PART
S1	CTB3+8JR	SCREW	41	O.K
S2	CTB3+8JFB	SCREW	38	O.K
S3	CTW3+8JFC	SCREW	6	O.K
S4	CTW3+12JR	SCREW	4	O.K
S5	CTW3+18JR	SCREW	2	O.K
S6	CHD1A023R	SCREW, SPECIAL	4	O.K
S7	CHD1A012ZR	SCREW, SPECIAL	7	O.K



POS. NO.	VERS. COLOR	PART NO. (FOR EUR)	PART NO. (MZ)	PART NAME	DESCRIPTION
1		421410006004M	421410006004M	BADGE	MARANTZ BADGE (AL) M1 MODEL CGB1A206
2		943416003900M	943416003900M	WINDOW	FUNCTION WINDOW CGU1A425A12
3	N1B	943412003910M	943412003910M	KNOB	BALANCE KNOB BL CBN1A224B37
3	K1SG	nsp	943412003920M	KNOB	BALANCE KNOB SG CBN1A224RMD10
3	N1SG	943412003920M	943412003920M	KNOB	BALANCE KNOB SG CBN1A224RMD10
4	K1SG	nsp	943422005690M	PANEL, AL FRONT	PANEL, AL FRONT CKM1A204WC62
4	N1SG	943422005690M	943422005690M	PANEL, AL FRONT	PANEL, AL FRONT CKM1A204WC62
4	N1B	943422005680M	943422005680M	PANEL, AL FRONT	PANEL, AL FRONT CKM1A204XC23
5	N1B	943402003950M	943402003950M	CHASSIS	PANEL SUB MOLD BL PM5003 CGW1A465
5	K1SG	nsp	943402003960M	CHASSIS	PANEL SUB MOLD SG PM5003 CGW1A465RMD10
5	N1SG	943402003960M	943402003960M	CHASSIS	PANEL SUB MOLD SG PM5003 CGW1A465RMD10
6	N1B	943422005660M	943422005660M	PANEL	PANEL, SIDE L CGW3A467RNZB37
6	K1SG	nsp	943422005670M	PANEL	PANEL, SIDE L CGW3A467ROYD10
6	N1SG	943422005670M	943422005670M	PANEL	PANEL, SIDE L CGW3A467ROYD10
7	N1B	943422003990M	943422003990M	ESCUTCHEON	ESCUTCHEON R BL CGW1A466RNZB37
7	K1SG	nsp	943422004000M	ESCUTCHEON	ESCUTCHEON R SG CGW1A466ROYD10
7	N1SG	943422004000M	943422004000M	ESCUTCHEON	ESCUTCHEON R SG CGW1A466ROYD10
8	N1B	943412002830M	943412002830M	ESCUTCHEON	INPUT RING BL CGR1A456B37
8	K1SG	nsp	943412002840M	ESCUTCHEON	INPUT RING SG CGR1A456RMD10
8	N1SG	943412002840M	943412002840M	ESCUTCHEON	INPUT RING SG CGR1A456RMD10
9	K1SG	nsp	943412002820M	KNOB	INPUT KNOB SG CGK1A138YA
9	N1SG	943412002820M	943412002820M	KNOB	INPUT KNOB SG CGK1A138YA
9	N1B	943412002810M	943412002810M	KNOB	INPUT KNOB BL CGK1A138ZA
10	K1SG	nsp	943412004020M	KNOB	VOLUME KNOB ASSY SG PM5003 CGK1A137YA
10	N1SG	943412004020M	943412004020M	KNOB	VOLUME KNOB ASSY SG PM5003 CGK1A137YA
10	N1B	943412004010M	943412004010M	KNOB	VOLUME KNOB ASSY BL PM5003 CGK1A137ZA
11	K1SG	nsp	481510004047M	WINDOW	IR LENS CGU1A424
11	N1SG	481510004047M	481510004047M	WINDOW	IR LENS CGU1A424
11	N1B	481510004009M	481510004009M	WINDOW	IR LENS CGU1A424A12
12		481510003006M	481510003006M	LENS	LENS POWER INDICATOR CGL1A274
13	N1B	411510016027M	411510016027M	BUTTON	BUTTON POWER PUSH BL CBC1A166
13	K1SG	nsp	943411001970M	BUTTON	BUTTON POWER SW SG CBC1A166RMD10
13	N1SG	943411001970M	943411001970M	BUTTON	BUTTON POWER SW SG CBC1A166RMD10
16		nsp	nsp	LENS	INDICATOR FUNCTION CGL1A276
17	K1SG	nsp	943412004060M	BUTTON	SPEAKER BUTTON SG CBT1A1085YA
17	N1SG	943412004060M	943412004060M	BUTTON	SPEAKER BUTTON SG CBT1A1085YA
17	N1B	943412004050M	943412004050M	BUTTON	SPEAKER BUTTON BL CBT1A1085ZA
20		nsp	nsp	FRAME	FRAME, FRONT CUF2A004
21		nsp	nsp	CHASSIS	CHASSIS BOTTOM CUA1A288
23		00M243W057210	00M243W057210	LEG	LEG FOR SILVER CKL2A042H46
24		00M32CW107010	00M32CW107010	SHEET	CUSHION FOOT CHG1A360
25		nsp	nsp	HOLDER	HOLDER PWB CHE170
27		nsp	nsp	SUPPORT	LOCKER SH08M790BO CRE1A037
▲28		943101005700M	943101005700M	TRANS	TRANS, POWER (TROIDAL) CLT5Z021ZE
29		nsp	nsp	HOLDER	HOLDER PWB CHE1A030
31		nsp	nsp	COVER	COVER SCREW CMD1A495
32	K1SG	nsp	nsp	PANEL, REAR	PANEL, REAR CKF2A391V
32	N1B	nsp	nsp	PANEL, REAR	PANEL, REAR CKF2A391W
32	N1SG	nsp	nsp	PANEL, REAR	PANEL, REAR CKF2A391W
33		nsp	nsp	TERMINAL	GND TERMINAL KMA1A006
▲34		00MYJ04002640	00MYJ04002640	INLET	! R-301(21) AC INLET CJJ8A006ZW
36		nsp	nsp	WASHER	WASHER GROUND CNW1A035
37		nsp	nsp	BUFFER	RUBBER CHG1A113

NOTE : "nsp" PART IS LISTED FOR REFERENCE ONLY, D&M WILL NOT SUPPLY THESE PARTS.

POS. NO.	VERS. COLOR	PART NO. (FOR EUR)	PART NO. (MZ)	PART NAME	DESCRIPTION
38		nsp	nsp	CUSHION	CUSHION, IR CHG1A448
39	N1B	nsp	nsp	STOPPER	STOPPER SHEET CGX1A436Z
	K1SG	nsp	nsp	STOPPER	STOPPER SHEET CMH1A306Y
	N1SG	nsp	nsp	STOPPER	STOPPER SHEET CMH1A306Y
40	N1B	nsp	nsp	SHEET	SHEET TOP CGX1A436Z
	K1SG	nsp	nsp	SHEET	SHEET TOP CGX1A436Y
	N1SG	nsp	nsp	SHEET	SHEET TOP CGX1A436Y
S1		nsp	nsp	SCREW	SCREW CTB3+8JR
S2		nsp	nsp	SCREW	COPPER PLATING CTB3+8JFB
S3	N1B	nsp	nsp	SCREW	SCREW CTW3+8JFZR
S3	K1SG	nsp	nsp	SCREW	SCREW CTW3+8JFC
S3	N1SG	nsp	nsp	SCREW	SCREW CTW3+8JFC
S4		nsp	nsp	SCREW	SCREW CTW3+12JR
S5		nsp	nsp	SCREW	CTW3+18JR CTW3+18JR
S6		nsp	nsp	SCREW	SCREW CHD1A023R
		nsp	nsp	LABEL	LABEL, HOT CQB1A906Z
		nsp	nsp	LABEL	LABEL CQB1A908Z
		nsp	nsp	CORD	2P WIRE ASSY 100MM CWZPM5003TW91
		nsp	nsp	BUFFER	H=9.5(15X20) CHG1A104
		nsp	nsp	CLAMPER	CLAMPER CHR301
		nsp	nsp	PCB	PM6003/N FRONT PCB ASS'Y COP12183N
		nsp	nsp	PCB	PM6003/N MAIN PCB ASS'Y COP12184N
		nsp	nsp	CORD	2P WIRE ASSY 100MM CWZPM5003TW91A
▲		90M-FS001540R	90M-FS001540R	FUSE	! T 2.5A L 250V KBA2C2500TLEY
PACKING					
		307010030006M	307010030006M	UNIT KIT	REMOTE CONTROLLER RC003PM CARTPM5003
▲	N1B	90M-ZC000320R	90M-ZC000320R	MAINS CORD	! MAINS CORD 2WIRE 10A/250V CJA2B054Z
▲	N1SG	90M-ZC000320R	90M-ZC000320R	MAINS CORD	! MAINS CORD 2WIRE 10A/250V CJA2B054Z
▲	K1SG	nsp	90M-ZC000650R	MAINS CORD	! MAINS CORD FOR K CJA2N075Z
	K1SG	nsp	943541005620M	USER GUIDE	USER GUIDE PM6003K1SG CQX1A1435Y
	N1B	943541005630M	943541005630M	USER GUIDE	USER GUIDE PM6003N CQX1A1435Z
	N1SG	943541005630M	943541005630M	USER GUIDE	USER GUIDE PM6003N CQX1A1435Z
NOT STANDARD SPARE PART					
		943531005650M	943531005650M	CARTON	BOX, OUT CARTON CPG1A892Z
		943533002870M	943533002870M	CUSHION	PAD SNOW SR5023 CPS1A828
35	K1SG	nsp	943401002860M	LID	TOP COVER SG CKC1A187D11
35	N1SG	943401002860M	943401002860M	LID	TOP COVER SG CKC1A187D11
35	N1B	943401002850M	943401002850M	LID	TOP COVER BL CKC1A187K117
		nsp	nsp	BUFFER	CUSHION SUPPORT CHG1A305

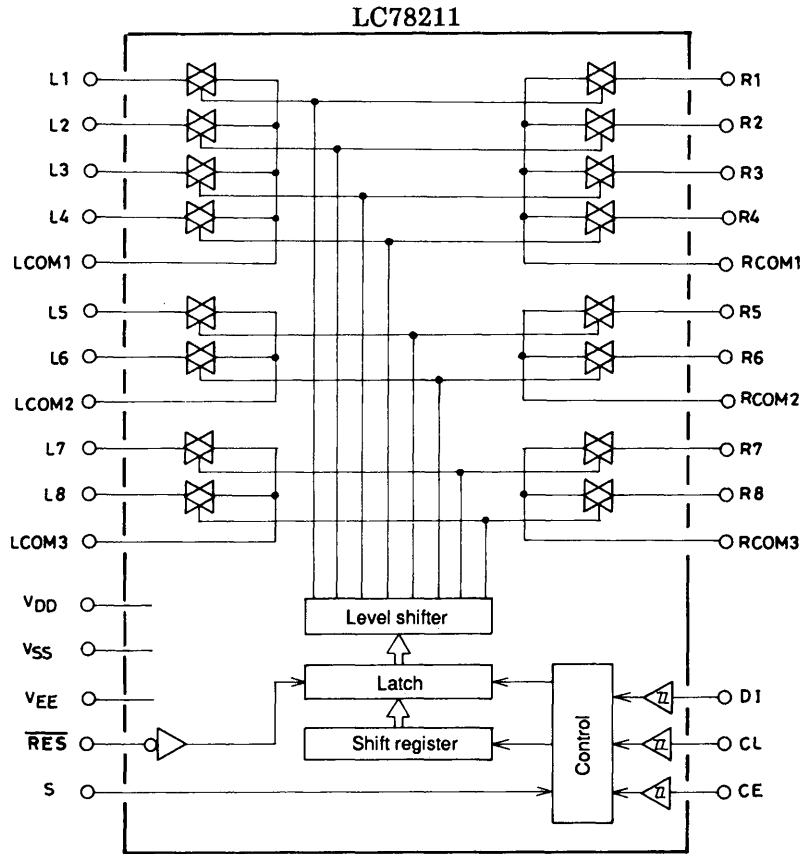
NOTE : "nsp" PART IS LISTED FOR REFERENCE ONLY, D&M WILL NOT SUPPLY THESE PARTS.

9. MICROPROCESSOR AND IC DATA

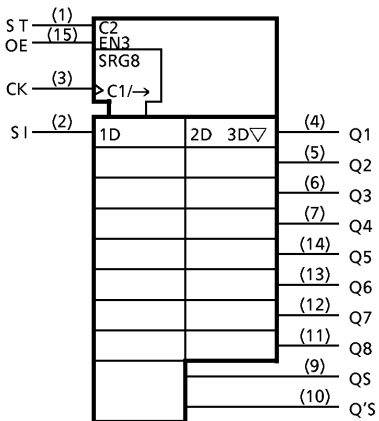
IC61 : TMP86FH12MG

PIN No	NAME	I/O	ACTIVE	DESCRIPTION
1	VSS	-		Digital GND Voltage
2	XIN	I		Oscillator Input Port
3	XOUT	O		Oscillator Output Port
4	TEST	I	H	Fixed to high
5	VDD	-		Power Supply Port (+5V)
6	P_AMUTE	O	L	POWER AUDIO MUTE Control Port ("L")
7	P_FMUTE	O	L	POWER FUNCTION MUTE Control Port ("L")
8	RESET	I	L	Reset Input Port ("L")
9	BACK UP	I	L	BACK_UP Mode Control Port ("L")
10	MD/TAPE_LED	O	H	MD/TAPE_LED Control Port("H")
11	CD_R_LED	O	L	CD_R_LED Control Port
12	AUX/DVD_LED	O	L	AUX/DVD_LED Control Port
13	TUNER_LED	O	L	TUNER_LED Control Port
14	CD_LED	O	L	CD_LED Control Port
15	PHONO_LED	O	L	PHONO_LED Control Port
16	CE 2	O	L	Chip Enable Function Switch
17	REMOTE(EXT)	I	L	REMOTE Input Port
18	REMOTE(EXT)	I	L	REMOTE Input Port
19	VR_UP	O	L	VR_UP Control Port
20	VR_DOWN	O	L	VR_DOWN Control Port
21	POWER_ON	O	H	Unit Power On Control Port ("H")
22	PROTECT IN	I	L	PROTECT Input Port("L")
23	KEY 0	I	L	KEY 0
24	STANDBY_LED	O	H	STANDBY_LED Control Port ("H")
25	REMOCON ON/OFF	O	L	REMOCON ENABLE
26	EN1(SCROLL_DN)	I	L	Scroll Down Control Port
27	EN2(SCROLL_UP)	I	L	Scroll Up Control Port
28	CE1	I	H	Chip Enable"1" Control Port
29	DATA	I	L	Data Input Port
30	CLK	O	L	Clock Output Port

IC21 : LC78212



IC62 : TC74HC4094AFN

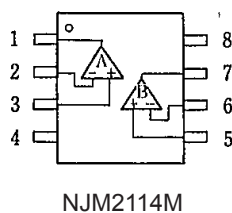


CK	OE	ST	SI	PARA. OUT		SERI. OUT	
				Q1	Qn	Qs	Q's
	H	H	L	L	Qn - 1	Q7	NC
	H	H	H	H	Qn - 1	Q7	NC
	H	L	*	NC	NC	Q7	NC
	L	*	*	Z	Z	Q7	NC
	H	*	*	NC	NC	NC	Qs
	L	*	*	Z	Z	NC	Qs

X : DON'T CARE
 NC : NO CHANGE
 Z : HIGH IMPEDANCE

IC23, 31, 32, 41 : NJM2114M

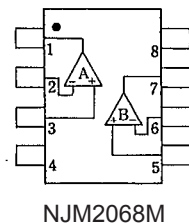
PIN CONFIGURATION



- 1. A OUTPUT
- 2. A - INPUT
- 3. A + INPUT
- 4. V⁻
- 5. B + INPUT
- 6. B - INPUT
- 7. B OUTPUT
- 8. V⁺

IC11, 21, 42, 53-55 : NJM2068M

PIN CONFIGURATION



- 1. A OUTPUT
- 2. A - INPUT
- 3. A + INPUT
- 4. V⁻
- 5. B + INPUT
- 6. B - INPUT
- 7. B OUTPUT
- 8. V⁺

10. ELECTRICAL PARTS LIST

PARTS INFORMATION

RESISTORS

- 1) 00MGD05 × × × 140, Carbon film fixed resistor, ±5% 1/4W
- 2) 00MGD05 × × × 160, Carbon film fixed resistor, ±5% 1/6W

① — Resistance value

Examples ;

① Resistance value

0.1Ω 001	10Ω 100	1kΩ 102	100kΩ 104
0.5Ω 005	18Ω 180	2.7kΩ 272	680kΩ 684
1Ω 010	100Ω 101	10kΩ 103	1MΩ 105
6.8Ω 068	390Ω 391	22kΩ 223	4.7MΩ 475

Note : Please distinguish 1/4W from 1/6W by the shape of parts used actually.

CAPACITORS

CERAMIC CAP.

- 3) 00MDD1 × × × × 370, Ceramic capacitor
Disc type
Temp.coeff.P350 ~ N1000, 50V
- ② — Capacity value
③ — Tolerance

Examples ;

- ② Tolerance (Capacity deviation)
- ±0.25pF.....0
 - ±0.5pF.....1
 - ±5%.....5

* Tolerance of COMMON PARTS handled here are as follows :

- 0.5pF ~ 5pF ±0.25pF
- 6pF ~ 10pF ±0.5pF
- 12pF ~ 560pF ±5%

③ Capacity value

0.5pF 005	3pF 030	100pF 101
1pF 010	10pF 100	220pF 221
1.5pF 015	47pF 470	560pF 561

CERAMIC CAP.

- 4) 00MDK16 × × × 300, High dielectric constant ceramic capacitor
Disc type
Temp.chara. 2B4, 50V
- ④ — Capacity value

Examples ;

- ④ Capacity value
- | | | |
|----------------|-----------------|------------------|
| 100pF 101 | 1000pF 102 | 10000pF 103 |
| 470pF 471 | 2200pF 222 | |

ELECTROLY CAP. (⏏)

- 5) 00MEA × × × × × 10, Electrolytic capacitor
One-way lead type, Tolerance ±20%
- ⑤ — Working voltage
⑥ — Capacity value

Examples ;

- ⑤ Capacity value
- | | | |
|-----------------|----------------|----------------|
| 0.1μF 104 | 4.7μF 475 | 100μF ... 107 |
| 0.33μF 334 | 10μF 106 | 330μF ... 337 |
| 1μF 105 | 22μF 226 | 1100μF ... 118 |
| | | 2200μF ... 228 |
- ⑥ Working voltage
- | | |
|---------------|--------------|
| 6.3V 006 | 25V 025 |
| 10V 010 | 35V 035 |
| 16V 016 | 50V 050 |

FILM CAP. (⏏)

- 6) 00MDF15 × × × 350 Plastic film capacitor
One-way type, Mylar ±5% 50V
 - 00MDF15 × × × 310 Plastic film capacitor
One-way type, Mylar ±10% 50V
- ⑦ — Capacity value

Examples ;

- ⑦ Capacity value
- | | |
|----------------------------|-----------------|
| 0.001μF (1000pF) 102 | 0.1μF 104 |
| 0.0018μF 182 | 0.56μF 564 |
| 0.01μF 103 | 1μF 105 |
| 0.015μF 153 | |

NOTE ON SAFETY FOR FUSIBLE RESISTOR :

The suppliers and their type numbers of fusible resistors are as follows;

1. KOA Corporation

Part No. (MJI)	Type No. (KOA)	Description
00MNH05 × × × 140	RF25S × × × × ΩJ	(±5% 1/4W)
00MNH05 × × × 120	RF50S × × × × ΩJ	(±5% 1/2W)
00MNH85 × × × 110	RF73B2A × × × × ΩJ	(±5% 1/10W)
00MNH95 × × × 140	RF73B2E × × × × ΩJ	(±5% 1/4W)

* Resistance value Resistance value (0.1 – 10kΩ)

2. Matsushita Electronic Components Co., Ltd

Part No. (MJI)	Type No. (MEC)	Description
00MNF05 × × × 140	ERD-2FCJ × × ×	(±5% 1/4W)
00MRF05 × × × 140		
00MNF02 × × × 140	ERD-2FCG × × ×	(±2% 1/4W)
00MRF02 × × × 140		

* Resistance value * Resistance value

Examples ;

* Resistance value

0.1Ω 001	10Ω 100	1kΩ 102	100kΩ 104
0.5Ω 005	18Ω 180	2.7kΩ 272	680kΩ 684
1Ω 010	100Ω 101	10kΩ 103	1MΩ 105
6.8Ω 068	390Ω 391	22kΩ 223	4.7MΩ 475

ABBREVIATION AND MARKS

ANT. : ANTENNA	BATT. : BATTERY
CAP. : CAPACITOR	CER. : CERAMIC
CONN. : CONNECTING	DIG. : DIGITAL
HP : HEADPHONE	MIC. : MICROPHONE
μ-PRO : MICROPROCESSOR	REC. : RECORDING
RES. : RESISTOR	SPK : SPEAKER
SW : SWITCH	TRANSF. : TRANSFORMER
TRIM. : TRIMMING	TRS. : TRANSISTOR
VAR. : VARIABLE	X'TAL : CRYSTAL

NOTE ON FUSE :

Regarding to all parts of parts code **00MFS20xxx2xx**, replace only with Wickmann-Werke GmbH, Type 372 non glass type fuse.

NOTE ON SAFETY :

Symbol **⚠** Fire or electrical shock hazard. Only original parts should be used to replaced any part marked with symbol **⚠**. Any other component substitution (other than original type), may increase risk of fire or electrical shock hazard.

安全上の注意 :

⚠がついている部品は、安全上重要な部品です。必ず指定されている部品番号の部品を使用して下さい。

P.W.B. NAME	POS. NO.	VERS. COLOR	PART NO. (FOR EUR)	PART NO. (MZ)	PART NAME	DESCRIPTION
FRONT (CPU12183Z-1, CPU12183Z-2, CPU12183Z-3, CPU12183Z-4, CPU12183Z-5)						
FRONT	BK01		nsp	nsp	BRACKET	BRACKET FOR PWB CMD1A569
FRONT	BK02		nsp	nsp	PLATE	SHIELD PLATE (H/P) CMC1A346
FRONT	BN12		nsp	nsp	WIRE	SHIELD WIRE ASS'Y CWB1B90512058001
FRONT	BN33		nsp	nsp	WIRE	SHIELD WIRE ASS'Y CWB1B90518058001
FRONT	BN51		nsp	nsp	CONN.	6P MOLEX42140-2206 CJP06HA37ZM
FRONT	BN52		90M-YJ002930R	90M-YJ002930R	CONN.	7P STRAIGHT CJP07HA37ZM
FRONT	BN55		nsp	nsp	WIRE	LOCKING TYPE, WIRE CWB1C00340058
FRONT	BN56		90M-YJ002930R	90M-YJ002930R	CONN.	7P STRAIGHT CJP07HA37ZM
FRONT	BN93		nsp	nsp	WIRE	LOCKING TYPE, WIRE CWB1B00725058
FRONT	BN95		nsp	nsp	WIRE	WIRE ASS'Y CWB1B01512058
FRONT	BN96		nsp	nsp	CORD	2P WIRE ASSY 300MM CWZPM5003BN96
FRONT	C401		00MOA106035Z0	00MOA106035Z0	ELECT CAP.	10UF 35V ROS HCEA1VR100T
FRONT	C402		00MOA106035Z0	00MOA106035Z0	ELECT CAP.	10UF 35V ROS HCEA1VR100T
FRONT	C403		943133002360S	943133002360S	FILM CAP.	APVA0100J10100 POLYPROPYLENE CCMP2A101JN09T
FRONT	C404		943133002360S	943133002360S	FILM CAP.	APVA0100J10100 POLYPROPYLENE CCMP2A101JN09T
FRONT	C405		943139005710M	943139005710M	CAP POLY	CAP, POLYPROPYLENE(470PF/100V) CCMP2A471JN09T
FRONT	C406		943139005710M	943139005710M	CAP POLY	CAP, POLYPROPYLENE(470PF/100V) CCMP2A471JN09T
FRONT	C407		00MOA22605020	00MOA22605020	ELECT CAP.	22UF 50V CCEA1HH220T
FRONT	C408		00MOA22605020	00MOA22605020	ELECT CAP.	22UF 50V CCEA1HH220T
FRONT	C409		943133002360S	943133002360S	FILM CAP.	APVA0100J10100 POLYPROPYLENE CCMP2A101JN09T
FRONT	C410		943133002360S	943133002360S	FILM CAP.	APVA0100J10100 POLYPROPYLENE CCMP2A101JN09T
FRONT	C411		943134005720M	943134005720M	ELECT CAP.	CAP, ELECT (220UF/25V, 8*11.5, RA2) CCEA1ERA221T
FRONT	C412		943134005720M	943134005720M	ELECT CAP.	CAP, ELECT (220UF/25V, 8*11.5, RA2) CCEA1ERA221T
FRONT	C413		00MOA47602520	00MOA47602520	943134005720M	47UF 25V CCEA1EH470T
FRONT	C414		00MOA47602520	00MOA47602520	943134005720M	47UF 25V CCEA1EH470T
FRONT	C415		943134005720M	943134005720M	ELECT CAP.	CAP, ELECT (220UF/25V, 8*11.5, RA2) CCEA1ERA221T
FRONT	C416		943134005720M	943134005720M	ELECT CAP.	CAP, ELECT (220UF/25V, 8*11.5, RA2) CCEA1ERA221T
FRONT	C417		nsp	nsp	FILM CAP.	1000PF 100V J MYLAR HCQI1H102JZT
FRONT	C418		nsp	nsp	FILM CAP.	1000PF 100V J MYLAR HCQI1H102JZT
FRONT	C419		00MOF15104040	00MOF15104040	FILM CAP.	0.1UF 100V J MYLAR HCQI1H104JZT
FRONT	C420		00MOF15104040	00MOF15104040	FILM CAP.	0.1UF 100V J MYLAR HCQI1H104JZT
FRONT	C421		00MOA10605020	00MOA10605020	ELECT CAP.	10UF 50V CCEA1HH100T
FRONT	C423		nsp	nsp	FILM CAP.	0.01UF 100V J MYLAR HCQI1H103JZT
FRONT	C501		00MOA10605020	00MOA10605020	ELECT CAP.	10UF 50V CCEA1HH100T
FRONT	C502		00MOA10605020	00MOA10605020	ELECT CAP.	10UF 50V CCEA1HH100T
FRONT	C503		nsp	nsp	CER. CAP.	100PF 50V K CCBS1H101KBT
FRONT	C504		nsp	nsp	CER. CAP.	100PF 50V K CCBS1H101KBT
FRONT	C505		00MOA22605020	00MOA22605020	ELECT CAP.	22UF 50V CCEA1HH220T
FRONT	C506		00MOA22605020	00MOA22605020	ELECT CAP.	22UF 50V CCEA1HH220T
FRONT	C507		00MOA47602520	00MOA47602520	ELECT CAP.	47UF 25V CCEA1EH470T
FRONT	C508		00MOA47602520	00MOA47602520	ELECT CAP.	47UF 25V CCEA1EH470T
FRONT	C509		nsp	nsp	CER. CAP.	100PF 50V K CCBS1H101KBT
FRONT	C510		nsp	nsp	CER. CAP.	100PF 50V K CCBS1H101KBT
FRONT	C511		00MOA47505020	00MOA47505020	ELECT CAP.	4.7UF 50V CCEA1HH4R7T
FRONT	C512		00MOA47505020	00MOA47505020	ELECT CAP.	4.7UF 50V CCEA1HH4R7T
FRONT	C513		nsp	nsp	FILM CAP.	0.033UF 100V J MYLAR HCQI1H333JZT
FRONT	C514		nsp	nsp	FILM CAP.	0.033UF 100V J MYLAR HCQI1H333JZT
FRONT	C515		nsp	nsp	FILM CAP.	0.015UF 100V J MYLAR HCQI1H153JZT
FRONT	C516		nsp	nsp	FILM CAP.	0.015UF 100V J MYLAR HCQI1H153JZT
FRONT	C517		nsp	nsp	CER. CAP.	220PF 50V K CCBS1H221KBT
FRONT	C518		nsp	nsp	CER. CAP.	220PF 50V K CCBS1H221KBT
FRONT	C519		00MOA106035Z0	00MOA106035Z0	ELECT CAP.	10UF 35V ROS HCEA1VR100T
FRONT	C520		00MOA106035Z0	00MOA106035Z0	ELECT CAP.	10UF 35V ROS HCEA1VR100T
FRONT	C521		00MDK96103300	00MDK96103300	CER. CAP.	0.01UF 50V KC CCUS1H103KC
FRONT	C601		00MDK96103300	00MDK96103300	CER. CAP.	0.01UF 50V KC CCUS1H103KC
FRONT	C611		00MOA22701620	00MOA22701620	ELECT CAP.	220UF 16V CCEA1CH221T
FRONT	C612		00MDK96103300	00MDK96103300	CER. CAP.	0.01UF 50V KC CCUS1H103KC
FRONT	C613		00MOA22701620	00MOA22701620	ELECT CAP.	220UF 16V CCEA1CH221T
FRONT	C614		00MDD95471300	00MDD95471300	CER. CAP.	470PF 50V JA CCUS1H471JA
FRONT	C615		00MDD95471300	00MDD95471300	CER. CAP.	470PF 50V JA CCUS1H471JA
FRONT	C616		00MDD95471300	00MDD95471300	CER. CAP.	470PF 50V JA CCUS1H471JA
FRONT	C617		00MDD95101300	00MDD95101300	CER. CAP.	100PF 50V JA CCUS1H101JA
FRONT	C619		00MOA10605020	00MOA10605020	ELECT CAP.	10UF 50V CCEA1HH100T
FRONT	C620		00MOA10800620	00MOA10800620	ELECT CAP.	1000UF 6.3V CCEA0JH102T

NOTE : "nsp" PART IS LISTED FOR REFERENCE ONLY, D&M WILL NOT SUPPLY THESE PARTS.

P.W.B. NAME	POS. NO.	VERS. COLOR	PART NO. (FOR EUR)	PART NO. (MZ)	PART NAME	DESCRIPTION
FRONT	C621		00MDK96103300	00MDK96103300	CER. CAP.	0.01UF 50V KC CCUS1H103KC
FRONT	C622		00MOA10800620	00MOA10800620	ELECT CAP.	1000UF 6.3V CCEA0JH102T
FRONT	C623		00MOA10605020	00MOA10605020	ELECT CAP.	10UF 50V CCEA1HH100T
FRONT	C624		00MDK96103300	00MDK96103300	CER. CAP.	0.01UF 50V KC CCUS1H103KC
FRONT	C625		00MDD95220300	00MDD95220300	CER. CAP.	22PF 50V JA CCUS1H220JA
FRONT	C626		00MDD95220300	00MDD95220300	CER. CAP.	22PF 50V JA CCUS1H220JA
FRONT	C627		nsp	nsp	CER. CAP.	0.01UF 50V Z CCBS1H103ZFT
FRONT	C629		00MDK96103300	00MDK96103300	CER. CAP.	0.01UF 50V KC CCUS1H103KC
FRONT	C630		00MDK96103300	00MDK96103300	CER. CAP.	0.01UF 50V KC CCUS1H103KC
FRONT	C631		00MDK96104300	00MDK96104300	CER. CAP.	0.1UF 50V K CCUS1H104KC
FRONT	C633		00MOA10505020	00MOA10505020	ELECT CAP.	1UF 50V CCEA1HH1R0T
FRONT	C651		00MDK96103300	00MDK96103300	CER. CAP.	0.01UF 50V KC CCUS1H103KC
FRONT	C652		00MDK96103300	00MDK96103300	CER. CAP.	0.01UF 50V KC CCUS1H103KC
FRONT	C653		00MDK96103300	00MDK96103300	CER. CAP.	0.01UF 50V KC CCUS1H103KC
FRONT	C654		00MDK96103300	00MDK96103300	CER. CAP.	0.01UF 50V KC CCUS1H103KC
FRONT	C655		00MDK96103300	00MDK96103300	CER. CAP.	0.01UF 50V KC CCUS1H103KC
FRONT	C656		00MDK96103300	00MDK96103300	CER. CAP.	0.01UF 50V KC CCUS1H103KC
FRONT	C681		00MOA22701620	00MOA22701620	ELECT CAP.	220UF 16V CCEA1CH221T
FRONT	C687		00MOA10605020	00MOA10605020	ELECT CAP.	10UF 50V CCEA1HH100T
FRONT	C688		00MOA10605020	00MOA10605020	ELECT CAP.	10UF 50V CCEA1HH100T
FRONT	C690		nsp	nsp	CER. CAP.	0.01UF 50V Z CCBS1H103ZFT
FRONT	C691		nsp	nsp	CER. CAP.	0.01UF 50V Z CCFT1H103ZF
FRONT	C692		nsp	nsp	CER. CAP.	0.01UF 50V Z CCFT1H103ZF
FRONT	C693		00MDK96103300	00MDK96103300	CER. CAP.	0.01UF 50V KC CCUS1H103KC
FRONT	C694		00MDK96103300	00MDK96103300	CER. CAP.	0.01UF 50V KC CCUS1H103KC
FRONT	C695		00MDK96104300	00MDK96104300	CER. CAP.	0.1UF 50V K CCUS1H104KC
FRONT	▲C901		90M-DK100800R	90M-DK100800R	CER. CAP.	DKS471ME KCKDKS471ME
FRONT	▲C911		00MDF17104630	00MDF17104630	FILM CAP.	0.1UF 250V KD HCQE2E104KDE
FRONT	C925		nsp	nsp	CER. CAP.	0.1UF 50V ZF CCFT1H104ZF
FRONT	C926		00MOA22505020	00MOA22505020	ELECT CAP.	2.2UF 50V CCEA1HH2R2T
FRONT	▲C930		90M-DK100770R	90M-DK100770R	CER. CAP.	0.0047UF 2.5KV CERAMIC KCKDKS472ME
FRONT	C931		00MOA10802520	00MOA10802520	ELECT CAP.	1000UF 25V CCEA1EH102E
FRONT	C932		00MOA22701620	00MOA22701620	ELECT CAP.	220UF 16V CCEA1CH221T
FRONT	C934		nsp	nsp	CER. CAP.	0.022UF 50V Z CERAMIC CCBS1H223ZFT
FRONT	C935		00MOF15104040	00MOF15104040	FILM CAP.	0.1UF 100V J MYLAR HCQ11H104JZT
FRONT	C936		nsp	nsp	CER. CAP.	100PF 50V KB CCKT1H101KB
FRONT	CB52		943644004070S	943644004070S	CONN.	7P PIN HEADER ANGLE CJP07GF230ZB
FRONT	CB56		943644004070S	943644004070S	CONN.	7P PIN HEADER ANGLE CJP07GF230ZB
FRONT	CN93		nsp	nsp	WAFER	LOCKING TYPE, STRAIGHT WAFER, 2.5MM CJP07GI237ZW
FRONT	CN96		nsp	nsp	WAFER	WAFER, 2P CJP02GB89ZY
FRONT	CN98		nsp	nsp	CONN.	2P WAFER CJP02GA89ZY
FRONT	D401		00MHD20015210	00MHD20015210	DIODE	1SS133T-77 CVD1SS133MT
FRONT	D402		00MHD20015210	00MHD20015210	DIODE	1SS133T-77 CVD1SS133MT
FRONT	D403		00MHD20015210	00MHD20015210	DIODE	1SS133T-77 CVD1SS133MT
FRONT	D404		00MHD20015210	00MHD20015210	DIODE	1SS133T-77 CVD1SS133MT
FRONT	D405		00MHD20015210	00MHD20015210	DIODE	1SS133T-77 CVD1SS133MT
FRONT	D501		00MHZ21303210	00MHZ21303210	DIODE	1SS355 CVD1SS355T
FRONT	D502		00MHZ21303210	00MHZ21303210	DIODE	1SS355 CVD1SS355T
FRONT	D601		00MHZ21303210	00MHZ21303210	DIODE	1SS355 CVD1SS355T
FRONT	D602		00MHZ21303210	00MHZ21303210	DIODE	1SS355 CVD1SS355T
FRONT	D613		00MHZ21303210	00MHZ21303210	DIODE	1SS355 CVD1SS355T
FRONT	D620		00MHZ21303210	00MHZ21303210	DIODE	1SS355 CVD1SS355T
FRONT	D621		00MHD20015210	00MHD20015210	DIODE	1SS133T-77 CVD1SS133MT
FRONT	D622		00MHZ21303210	00MHZ21303210	DIODE	1SS355 CVD1SS355T
FRONT	D623		00MHZ21303210	00MHZ21303210	DIODE	1SS355 CVD1SS355T
FRONT	D624		00MHZ21303210	00MHZ21303210	DIODE	1SS355 CVD1SS355T
FRONT	D641		943263005730M	943263005730M	LED	LED, BLUE CVD30BSBBCAA
FRONT	D642		943263005730M	943263005730M	LED	LED, BLUE CVD30BSBBCAA
FRONT	D643		943263005730M	943263005730M	LED	LED, BLUE CVD30BSBBCAA
FRONT	D644		943263005730M	943263005730M	LED	LED, BLUE CVD30BSBBCAA
FRONT	D651		943263005730M	943263005730M	LED	LED, BLUE CVD30BSBBCAA
FRONT	D652		943263005730M	943263005730M	LED	LED, BLUE CVD30BSBBCAA
FRONT	D653		943263005730M	943263005730M	LED	LED, BLUE CVD30BSBBCAA
FRONT	D654		943263005730M	943263005730M	LED	LED, BLUE CVD30BSBBCAA
FRONT	D655		943263005730M	943263005730M	LED	LED, BLUE CVD30BSBBCAA

NOTE : "nsp" PART IS LISTED FOR REFERENCE ONLY, D&M WILL NOT SUPPLY THESE PARTS.

P.W.B. NAME	POS. NO.	VERS. COLOR	PART NO. (FOR EUR)	PART NO. (MZ)	PART NAME	DESCRIPTION
FRONT	D656		943263005730M	943263005730M	LED	LED, BLUE CVD30BSBBCAA
FRONT	D657		90M-HI101040R	90M-HI101040R	L.E.D.	SLR342VCTB7T089 HVD342VCTB7T089
FRONT	D675		263710016400S	263710016400S	L.E.D.	SLI-325URT31W TP CVDSLI325URT31WT055
FRONT	D907		90M-HD201730R	90M-HD201730R	DIODE	1N4003 CVD1N4003ST
FRONT	D908		90M-HD201730R	90M-HD201730R	DIODE	1N4003 CVD1N4003ST
FRONT	D927		00MHD20015210	00MHD20015210	DIODE	1SS133T-77 CVD1SS133MT
FRONT	D929		00MHD20015210	00MHD20015210	DIODE	1SS133T-77 CVD1SS133MT
FRONT	▲D930		90M-HD201730R	90M-HD201730R	DIODE	1N4003 CVD1N4003ST
FRONT	▲D931		90M-HD201730R	90M-HD201730R	DIODE	1N4003 CVD1N4003ST
FRONT	D932		90M-HD201730R	90M-HD201730R	DIODE	1N4003 CVD1N4003ST
FRONT	D933		90M-HD201730R	90M-HD201730R	DIODE	1N4003 CVD1N4003ST
FRONT	D934		00MHD20015210	00MHD20015210	DIODE	1SS133T-77 CVD1SS133MT
FRONT	F901		nsp	nsp	CONN.	HOLDER FUSE KJCF5S
FRONT	GND4		nsp	nsp	TERMINAL	EARTH PLATE MET37-0002 HJT1A025
FRONT	IC41		90M-HC109460R	90M-HC109460R	IC	NJM2114M HVINJM2114M
FRONT	IC42		00MHC10102090	00MHC10102090	IC	NJM2068MD-TE1 HVINJM2068MDTE1
FRONT	IC53		00MHC10102090	00MHC10102090	IC	NJM2068MD-TE1 HVINJM2068MDTE1
FRONT	IC54		00MHC10102090	00MHC10102090	IC	NJM2068MD-TE1 HVINJM2068MDTE1
FRONT	IC55		00MHC10102090	00MHC10102090	IC	NJM2068MD-TE1 HVINJM2068MDTE1
FRONT	IC61	K1SG	nsp	943243005740M	IC FLASH	I.C, FLASH(TMP86FH12MG)PM6003 CVITMP86FH12MG
FRONT	IC61	N1B	943243005740M	943243005740M	IC FLASH	I.C, FLASH(TMP86FH12MG)PM6003 CVITMP86FH12MG
FRONT	IC61	N1SG	943243005740M	943243005740M	IC FLASH	I.C, FLASH(TMP86FH12MG)PM6003 CVITMP86FH12MG
FRONT	IC62		90M-HC400060R	90M-HC400060R	IC	TC74HC4094AFN HVITC74HC4094FN
FRONT	▲IC96		00MHC3650509F	00MHC3650509F	IC	NJU7223F50 CVINJU7223F50
FRONT	J501		nsp	nsp	CORD	SN95/PB5 0.6 C3A206
FRONT	J503		nsp	nsp	CORD	SN95/PB5 0.6 C3A206
FRONT	J504		nsp	nsp	CORD	SN95/PB5 0.6 C3A206
FRONT	J505		nsp	nsp	CORD	SN95/PB5 0.6 C3A206
FRONT	J507		nsp	nsp	CORD	SN95/PB5 0.6 C3A206
FRONT	J508		nsp	nsp	CORD	SN95/PB5 0.6 C3A206
FRONT	J510		nsp	nsp	CORD	SN95/PB5 0.6 C3A206
FRONT	J511		nsp	nsp	CORD	SN95/PB5 0.6 C3A206
FRONT	J512		nsp	nsp	CORD	SN95/PB5 0.6 C3A206
FRONT	J513		nsp	nsp	CORD	SN95/PB5 0.6 C3A206
FRONT	J514		nsp	nsp	CORD	SN95/PB5 0.6 C3A206
FRONT	J515		nsp	nsp	CORD	SN95/PB5 0.6 C3A206
FRONT	J516		nsp	nsp	CORD	SN95/PB5 0.6 C3A206
FRONT	J517		nsp	nsp	CORD	SN95/PB5 0.6 C3A206
FRONT	J518		nsp	nsp	CORD	SN95/PB5 0.6 C3A206
FRONT	J519		nsp	nsp	CORD	SN95/PB5 0.6 C3A206
FRONT	J520		nsp	nsp	CORD	SN95/PB5 0.6 C3A206
FRONT	J521		nsp	nsp	CORD	SN95/PB5 0.6 C3A206
FRONT	J522		nsp	nsp	CORD	SN95/PB5 0.6 C3A206
FRONT	J523		nsp	nsp	CORD	SN95/PB5 0.6 C3A206
FRONT	J524		nsp	nsp	CORD	SN95/PB5 0.6 C3A206
FRONT	J525		nsp	nsp	CORD	SN95/PB5 0.6 C3A206
FRONT	J526		nsp	nsp	CORD	SN95/PB5 0.6 C3A206
FRONT	J527		nsp	nsp	CORD	SN95/PB5 0.6 C3A206
FRONT	J528		nsp	nsp	CORD	SN95/PB5 0.6 C3A206
FRONT	J529		nsp	nsp	CORD	SN95/PB5 0.6 C3A206
FRONT	J530		nsp	nsp	CORD	SN95/PB5 0.6 C3A206
FRONT	J531		nsp	nsp	CORD	SN95/PB5 0.6 C3A206
FRONT	J532		nsp	nsp	CORD	SN95/PB5 0.6 C3A206
FRONT	J533		nsp	nsp	CORD	SN95/PB5 0.6 C3A206
FRONT	J534		nsp	nsp	CORD	SN95/PB5 0.6 C3A206
FRONT	J535		nsp	nsp	CORD	SN95/PB5 0.6 C3A206
FRONT	J536		nsp	nsp	CORD	SN95/PB5 0.6 C3A206
FRONT	J537		nsp	nsp	CORD	SN95/PB5 0.6 C3A206
FRONT	J538		nsp	nsp	CORD	SN95/PB5 0.6 C3A206
FRONT	J539		nsp	nsp	CORD	SN95/PB5 0.6 C3A206
FRONT	J540		nsp	nsp	CORD	SN95/PB5 0.6 C3A206
FRONT	J541		nsp	nsp	CORD	SN95/PB5 0.6 C3A206
FRONT	J542		nsp	nsp	CORD	SN95/PB5 0.6 C3A206
FRONT	J543		nsp	nsp	CORD	SN95/PB5 0.6 C3A206
FRONT	J544		nsp	nsp	CORD	SN95/PB5 0.6 C3A206

NOTE : "nsp" PART IS LISTED FOR REFERENCE ONLY, D&M WILL NOT SUPPLY THESE PARTS.

P.W.B. NAME	POS. NO.	VERS. COLOR	PART NO. (FOR EUR)	PART NO. (MZ)	PART NAME	DESCRIPTION
FRONT	J545		nsp	nsp	CORD	SN95/PB5 0.6 C3A206
FRONT	J546		nsp	nsp	CORD	SN95/PB5 0.6 C3A206
FRONT	J547		nsp	nsp	CORD	SN95/PB5 0.6 C3A206
FRONT	J548		nsp	nsp	CORD	SN95/PB5 0.6 C3A206
FRONT	J549		nsp	nsp	CORD	SN95/PB5 0.6 C3A206
FRONT	J550		nsp	nsp	CORD	SN95/PB5 0.6 C3A206
FRONT	J551		nsp	nsp	CORD	SN95/PB5 0.6 C3A206
FRONT	J552		nsp	nsp	CORD	SN95/PB5 0.6 C3A206
FRONT	J553		nsp	nsp	CORD	SN95/PB5 0.6 C3A206
FRONT	J554		nsp	nsp	CORD	SN95/PB5 0.6 C3A206
FRONT	J555		nsp	nsp	CORD	SN95/PB5 0.6 C3A206
FRONT	J556		nsp	nsp	CORD	SN95/PB5 0.6 C3A206
FRONT	J557		nsp	nsp	CORD	SN95/PB5 0.6 C3A206
FRONT	J558		nsp	nsp	CORD	SN95/PB5 0.6 C3A206
FRONT	J559		nsp	nsp	CORD	SN95/PB5 0.6 C3A206
FRONT	J561		nsp	nsp	CORD	SN95/PB5 0.6 C3A206
FRONT	J562		nsp	nsp	CORD	SN95/PB5 0.6 C3A206
FRONT	J563		nsp	nsp	CORD	SN95/PB5 0.6 C3A206
FRONT	J564		nsp	nsp	CORD	SN95/PB5 0.6 C3A206
FRONT	J566		nsp	nsp	CORD	SN95/PB5 0.6 C3A206
FRONT	J568		nsp	nsp	CORD	SN95/PB5 0.6 C3A206
FRONT	J569		nsp	nsp	CORD	SN95/PB5 0.6 C3A206
FRONT	J570		nsp	nsp	CORD	SN95/PB5 0.6 C3A206
FRONT	J571		nsp	nsp	CORD	SN95/PB5 0.6 C3A206
FRONT	J572		nsp	nsp	CORD	SN95/PB5 0.6 C3A206
FRONT	J573		nsp	nsp	CORD	SN95/PB5 0.6 C3A206
FRONT	J574		nsp	nsp	CORD	SN95/PB5 0.6 C3A206
FRONT	J575		nsp	nsp	CORD	SN95/PB5 0.6 C3A206
FRONT	J576		nsp	nsp	CORD	SN95/PB5 0.6 C3A206
FRONT	J577		nsp	nsp	CORD	SN95/PB5 0.6 C3A206
FRONT	J578		nsp	nsp	CORD	SN95/PB5 0.6 C3A206
FRONT	J579		nsp	nsp	CORD	SN95/PB5 0.6 C3A206
FRONT	J580		nsp	nsp	CORD	SN95/PB5 0.6 C3A206
FRONT	J581		nsp	nsp	CORD	SN95/PB5 0.6 C3A206
FRONT	J582		nsp	nsp	CORD	SN95/PB5 0.6 C3A206
FRONT	J583		nsp	nsp	CORD	SN95/PB5 0.6 C3A206
FRONT	J584		nsp	nsp	CORD	SN95/PB5 0.6 C3A206
FRONT	J585		nsp	nsp	CORD	SN95/PB5 0.6 C3A206
FRONT	J586		nsp	nsp	CORD	SN95/PB5 0.6 C3A206
FRONT	J587		nsp	nsp	CORD	SN95/PB5 0.6 C3A206
FRONT	J588		nsp	nsp	CORD	SN95/PB5 0.6 C3A206
FRONT	J589		nsp	nsp	CORD	SN95/PB5 0.6 C3A206
FRONT	J590		nsp	nsp	CORD	SN95/PB5 0.6 C3A206
FRONT	J591		nsp	nsp	CORD	SN95/PB5 0.6 C3A206
FRONT	J592		nsp	nsp	CORD	SN95/PB5 0.6 C3A206
FRONT	J593		nsp	nsp	CORD	SN95/PB5 0.6 C3A206
FRONT	J594		nsp	nsp	CORD	SN95/PB5 0.6 C3A206
FRONT	J595		nsp	nsp	CORD	SN95/PB5 0.6 C3A206
FRONT	J596		nsp	nsp	CORD	SN95/PB5 0.6 C3A206
FRONT	J597		nsp	nsp	CORD	SN95/PB5 0.6 C3A206
FRONT	J598		nsp	nsp	CORD	SN95/PB5 0.6 C3A206
FRONT	J599		nsp	nsp	CORD	SN95/PB5 0.6 C3A206
FRONT	J600		nsp	nsp	CORD	SN95/PB5 0.6 C3A206
FRONT	J601		nsp	nsp	CORD	SN95/PB5 0.6 C3A206
FRONT	J602		nsp	nsp	CORD	SN95/PB5 0.6 C3A206
FRONT	J603		nsp	nsp	CORD	SN95/PB5 0.6 C3A206
FRONT	J604		nsp	nsp	CORD	SN95/PB5 0.6 C3A206
FRONT	J605		nsp	nsp	CORD	SN95/PB5 0.6 C3A206
FRONT	J607		nsp	nsp	CORD	SN95/PB5 0.6 C3A206
FRONT	J608		nsp	nsp	CORD	SN95/PB5 0.6 C3A206
FRONT	J609		nsp	nsp	CORD	SN95/PB5 0.6 C3A206
FRONT	J610		nsp	nsp	CORD	SN95/PB5 0.6 C3A206
FRONT	J611		nsp	nsp	CORD	SN95/PB5 0.6 C3A206
FRONT	J612		nsp	nsp	CORD	SN95/PB5 0.6 C3A206
FRONT	J613		nsp	nsp	CORD	SN95/PB5 0.6 C3A206

NOTE : "nsp" PART IS LISTED FOR REFERENCE ONLY, D&M WILL NOT SUPPLY THESE PARTS.

P.W.B. NAME	POS. NO.	VERS. COLOR	PART NO. (FOR EUR)	PART NO. (MZ)	PART NAME	DESCRIPTION
FRONT	J614		nsp	nsp	CORD	SN95/PB5 0.6 C3A206
FRONT	J615		nsp	nsp	CORD	SN95/PB5 0.6 C3A206
FRONT	J616		nsp	nsp	CORD	SN95/PB5 0.6 C3A206
FRONT	J617		nsp	nsp	CORD	SN95/PB5 0.6 C3A206
FRONT	J618		nsp	nsp	CORD	SN95/PB5 0.6 C3A206
FRONT	J621		nsp	nsp	CORD	SN95/PB5 0.6 C3A206
FRONT	J622		nsp	nsp	CORD	SN95/PB5 0.6 C3A206
FRONT	J623		nsp	nsp	CORD	SN95/PB5 0.6 C3A206
FRONT	J624		nsp	nsp	CORD	SN95/PB5 0.6 C3A206
FRONT	J625		nsp	nsp	CORD	SN95/PB5 0.6 C3A206
FRONT	J626		nsp	nsp	CORD	SN95/PB5 0.6 C3A206
FRONT	J627		nsp	nsp	CORD	SN95/PB5 0.6 C3A206
FRONT	J628		nsp	nsp	CORD	SN95/PB5 0.6 C3A206
FRONT	J629		nsp	nsp	CORD	SN95/PB5 0.6 C3A206
FRONT	J630		nsp	nsp	CORD	SN95/PB5 0.6 C3A206
FRONT	J632		nsp	nsp	CORD	SN95/PB5 0.6 C3A206
FRONT	JK61		90M-YT004500R	90M-YT004500R	TERMINAL	JACK SILVER PJ-612A-51 CJJ2E026Z
FRONT	JK91		90M-YT003120R	90M-YT003120R	TERMINAL	CINCH 2P JE0200598N CJJ4N036Z
FRONT	JW52		nsp	nsp	CORD	ST710388-5298T CWZPM48JW52
FRONT	JW61		nsp	nsp	CORD	WIRE ASSY CWE8202150RV
FRONT	Q401		00MHT800931A0	00MHT800931A0	TRS.	KTC3200GR-AT/P CVTKTC3200-GR-AT/PMT
FRONT	Q402		00MHT800931A0	00MHT800931A0	TRS.	KTC3200GR-AT/P CVTKTC3200-GR-AT/PMT
FRONT	Q403		00MHT600121A0	00MHT600121A0	TRS.	KTA1268GR HVTKTA1268GRT
FRONT	Q404		00MHT600121A0	00MHT600121A0	TRS.	KTA1268GR HVTKTA1268GRT
FRONT	Q405		00MHT600121A0	00MHT600121A0	TRS.	KTA1268GR HVTKTA1268GRT
FRONT	Q406		00MHT600121A0	00MHT600121A0	TRS.	KTA1268GR HVTKTA1268GRT
FRONT	Q407		00MHT800931A0	00MHT800931A0	TRS.	KTC3200GR-AT/P CVTKTC3200-GR-AT/PMT
FRONT	Q408		00MHT800931A0	00MHT800931A0	TRS.	KTC3200GR-AT/P CVTKTC3200-GR-AT/PMT
FRONT	Q409		00MHT800931A0	00MHT800931A0	TRS.	KTC3200GR-AT/P CVTKTC3200-GR-AT/PMT
FRONT	Q410		00MHT800931A0	00MHT800931A0	TRS.	KTC3200GR-AT/P CVTKTC3200-GR-AT/PMT
FRONT	Q411		00MHT600121A0	00MHT600121A0	TRS.	KTA1268GR HVTKTA1268GRT
FRONT	Q412		00MHT600121A0	00MHT600121A0	TRS.	KTA1268GR HVTKTA1268GRT
FRONT	Q413		00MBA20001000	00MBA20001000	TRS.	KRC102M HVTKRC102MT
FRONT	Q501		90M-HX800100R	90M-HX800100R	CHIP TRS.	KTC3875S Y RTK HVTKTC3875SYRTK
FRONT	Q502		00MHT600111B0	00MHT600111B0	TRS.	KTA1267Y HVTKTA1267YT
FRONT	Q604		90M-HX800080R	90M-HX800080R	CHIP TRS.	KRC107S HVTKRC107S
FRONT	Q605		90M-HX800080R	90M-HX800080R	CHIP TRS.	KRC107S HVTKRC107S
FRONT	Q613		90M-HX600010R	90M-HX600010R	CHIP TRS.	KRA102S HVTKRA102S
FRONT	Q614		90M-HX600010R	90M-HX600010R	CHIP TRS.	KRA102S HVTKRA102S
FRONT	Q617		90M-HX800100R	90M-HX800100R	CHIP TRS.	KTC3875S Y RTK HVTKTC3875SYRTK
FRONT	Q631		90M-BA001600R	90M-BA001600R	CHIP TRS.	KRA107S HVTKRA107S
FRONT	Q634		90M-BA001600R	90M-BA001600R	CHIP TRS.	KRA107S HVTKRA107S
FRONT	Q635		90M-BA001600R	90M-BA001600R	CHIP TRS.	KRA107S HVTKRA107S
FRONT	Q636		90M-BA001600R	90M-BA001600R	CHIP TRS.	KRA107S HVTKRA107S
FRONT	Q637		90M-BA001600R	90M-BA001600R	CHIP TRS.	KRA107S HVTKRA107S
FRONT	Q638		90M-BA001600R	90M-BA001600R	CHIP TRS.	KRA107S HVTKRA107S
FRONT	Q639		90M-BA001600R	90M-BA001600R	CHIP TRS.	KRA107S HVTKRA107S
FRONT	Q640		90M-BA001600R	90M-BA001600R	CHIP TRS.	KRA107S HVTKRA107S
FRONT	Q641		90M-BA001600R	90M-BA001600R	CHIP TRS.	KRA107S HVTKRA107S
FRONT	Q642		90M-HX800080R	90M-HX800080R	CHIP TRS.	KRC107S HVTKRC107S
FRONT	Q683		943219005750M	943219005750M	T.R	T.R , KTC3204Y-AP/P(TO-92M) CVTKTC3204YT
FRONT	Q684		943219005750M	943219005750M	T.R	T.R , KTC3204Y-AP/P(TO-92M) CVTKTC3204YT
FRONT	Q687		943219005760M	943219005760M	T.R	T.R , KTA1272Y-AP/P(TO-92M) CVTKTA1272YT
FRONT	Q688		943219005760M	943219005760M	T.R	T.R , KTA1272Y-AP/P(TO-92M) CVTKTA1272YT
FRONT	Q689		90M-HX800080R	90M-HX800080R	CHIP TRS.	KRC107S HVTKRC107S
FRONT	Q690		90M-HX800080R	90M-HX800080R	CHIP TRS.	KRC107S HVTKRC107S
FRONT	Q691		90M-HX800080R	90M-HX800080R	CHIP TRS.	KRC107S HVTKRC107S
FRONT	Q692		90M-HX800080R	90M-HX800080R	CHIP TRS.	KRC107S HVTKRC107S
FRONT	Q925		943219005770M	943219005770M	T.R	T.R, KTC3204Y-AP/P(TO-92M) CVTKTC3204YT
FRONT	R400		00MGD05101160	00MGD05101160	RES.	100 OHM 1/6W J CARBON CRD20TJ101T
FRONT	R401		00MGD05563160	00MGD05563160	RES.	56K OHM 1/6W J CARBON CRD20TJ563T
FRONT	R402		00MGD05563160	00MGD05563160	RES.	56K OHM 1/6W J CARBON CRD20TJ563T
FRONT	R403		00MGD05331160	00MGD05331160	RES.	330 OHM 1/6W J CARBON CRD20TJ331T
FRONT	R404		00MGD05331160	00MGD05331160	RES.	330 OHM 1/6W J CARBON CRD20TJ331T
FRONT	R405		00MGD05101160	00MGD05101160	RES.	100 OHM 1/6W J CARBON CRD20TJ101T

NOTE : "nsp" PART IS LISTED FOR REFERENCE ONLY, D&M WILL NOT SUPPLY THESE PARTS.

P.W.B. NAME	POS. NO.	VERS. COLOR	PART NO. (FOR EUR)	PART NO. (MZ)	PART NAME	DESCRIPTION
FRONT	R406		00MGD05101160	00MGD05101160	RES.	100 OHM 1/6W J CARBON CRD20TJ101T
FRONT	R407		00MGD05220160	00MGD05220160	RES.	22 OHM 1/6W J CARBON CRD20TJ220T
FRONT	R408		00MGD05220160	00MGD05220160	RES.	22 OHM 1/6W J CARBON CRD20TJ220T
FRONT	R409		00MGD05220160	00MGD05220160	RES.	22 OHM 1/6W J CARBON CRD20TJ220T
FRONT	R410		00MGD05220160	00MGD05220160	RES.	22 OHM 1/6W J CARBON CRD20TJ220T
FRONT	R411		00MGD05123160	00MGD05123160	RES.	12K OHM 1/6W J CARBON CRD20TJ123T
FRONT	R412		00MGD05123160	00MGD05123160	RES.	12K OHM 1/6W J CARBON CRD20TJ123T
FRONT	R413		00MGD05123160	00MGD05123160	RES.	12K OHM 1/6W J CARBON CRD20TJ123T
FRONT	R414		00MGD05123160	00MGD05123160	RES.	12K OHM 1/6W J CARBON CRD20TJ123T
FRONT	R415		00MGD05471160	00MGD05471160	RES.	470 OHM 1/6W J CARBON CRD20TJ471T
FRONT	R416		00MGD05471160	00MGD05471160	RES.	470 OHM 1/6W J CARBON CRD20TJ471T
FRONT	R417		00MGD05471160	00MGD05471160	RES.	470 OHM 1/6W J CARBON CRD20TJ471T
FRONT	R418		00MGD05471160	00MGD05471160	RES.	470 OHM 1/6W J CARBON CRD20TJ471T
FRONT	R419		00MGD05220160	00MGD05220160	RES.	22 OHM 1/6W J CARBON CRD20TJ220T
FRONT	R420		00MGD05220160	00MGD05220160	RES.	22 OHM 1/6W J CARBON CRD20TJ220T
FRONT	R421		00MGD05220160	00MGD05220160	RES.	22 OHM 1/6W J CARBON CRD20TJ220T
FRONT	R422		00MGD05220160	00MGD05220160	RES.	22 OHM 1/6W J CARBON CRD20TJ220T
FRONT	R423		00MGD05331160	00MGD05331160	RES.	330 OHM 1/6W J CARBON CRD20TJ331T
FRONT	R424		00MGD05331160	00MGD05331160	RES.	330 OHM 1/6W J CARBON CRD20TJ331T
FRONT	R425		00MGD05331160	00MGD05331160	RES.	330 OHM 1/6W J CARBON CRD20TJ331T
FRONT	R426		00MGD05331160	00MGD05331160	RES.	330 OHM 1/6W J CARBON CRD20TJ331T
FRONT	R427		00MGD05105160	00MGD05105160	RES.	1M OHM 1/6W J CARBON CRD20TJ105T
FRONT	R428		00MGD05105160	00MGD05105160	RES.	1M OHM 1/6W J CARBON CRD20TJ105T
FRONT	R429		00MGD05333160	00MGD05333160	RES.	33K OHM 1/6W J CARBON CRD20TJ333T
FRONT	R430		00MGD05333160	00MGD05333160	RES.	33K OHM 1/6W J CARBON CRD20TJ333T
FRONT	R431		00MGD05101160	00MGD05101160	RES.	100 OHM 1/6W J CARBON CRD20TJ101T
FRONT	R432		00MGD05101160	00MGD05101160	RES.	100 OHM 1/6W J CARBON CRD20TJ101T
FRONT	R433		00MGD05221160	00MGD05221160	RES.	220 OHM 1/6W J CARBON CRD20TJ221T
FRONT	R434		00MGD05221160	00MGD05221160	RES.	220 OHM 1/6W J CARBON CRD20TJ221T
FRONT	R435		00MGD05271160	00MGD05271160	RES.	270 OHM 1/6W J CARBON CRD20TJ271T
FRONT	R436		00MGD05271160	00MGD05271160	RES.	270 OHM 1/6W J CARBON CRD20TJ271T
FRONT	R437		00MGD05047160	00MGD05047160	RES.	4.7 OHM 1/6W J CARBON CRD20TJ4R7T
FRONT	R438		00MGD05047160	00MGD05047160	RES.	4.7 OHM 1/6W J CARBON CRD20TJ4R7T
FRONT	R439		00MGD05331160	00MGD05331160	RES.	330 OHM 1/6W J CARBON CRD20TJ331T
FRONT	R440		00MGD05331160	00MGD05331160	RES.	330 OHM 1/6W J CARBON CRD20TJ331T
FRONT	R441		00MGD05332160	00MGD05332160	RES.	3.3K OHM 1/6W J CARBON CRD20TJ332T
FRONT	R442		00MGD05332160	00MGD05332160	RES.	3.3K OHM 1/6W J CARBON CRD20TJ332T
FRONT	R443		00MGD05562160	00MGD05562160	RES.	5.6K OHM 1/6W J CARBON CRD20TJ562T
FRONT	R444		00MGD05562160	00MGD05562160	RES.	5.6K OHM 1/6W J CARBON CRD20TJ562T
FRONT	R446		nsp	nsp	CORD	SN95/PB5 0.6 C3A206
FRONT	R447		nsp	nsp	CORD	SN95/PB5 0.6 C3A206
FRONT	R448		00MGD05221160	00MGD05221160	RES.	220 OHM 1/6W J CARBON CRD20TJ221T
FRONT	R450		00MGD05104160	00MGD05104160	RES.	100K OHM 1/6W J CARBON CRD20TJ104T
FRONT	R451		00MGD05104160	00MGD05104160	RES.	100K OHM 1/6W J CARBON CRD20TJ104T
FRONT	R459		00MGD05221160	00MGD05221160	RES.	220 OHM 1/6W J CARBON CRD20TJ221T
FRONT	R501		00MGD05104160	00MGD05104160	RES.	100K OHM 1/6W J CARBON CRD20TJ104T
FRONT	R502		00MGD05104160	00MGD05104160	RES.	100K OHM 1/6W J CARBON CRD20TJ104T
FRONT	R503		00MGD05272160	00MGD05272160	RES.	2.7K OHM 1/6W J CARBON CRD20TJ272T
FRONT	R504		00MGD05272160	00MGD05272160	RES.	2.7K OHM 1/6W J CARBON CRD20TJ272T
FRONT	R505		00MGD05047160	00MGD05047160	RES.	4.7 OHM 1/6W J CARBON CRD20TJ4R7T
FRONT	R506		00MGD05047160	00MGD05047160	RES.	4.7 OHM 1/6W J CARBON CRD20TJ4R7T
FRONT	R507		00MGD05272160	00MGD05272160	RES.	2.7K OHM 1/6W J CARBON CRD20TJ272T
FRONT	R508		00MGD05272160	00MGD05272160	RES.	2.7K OHM 1/6W J CARBON CRD20TJ272T
FRONT	R509		00MGD05104160	00MGD05104160	RES.	100K OHM 1/6W J CARBON CRD20TJ104T
FRONT	R510		00MGD05104160	00MGD05104160	RES.	100K OHM 1/6W J CARBON CRD20TJ104T
FRONT	R511		00MGD05122160	00MGD05122160	RES.	1.2K OHM 1/6W J CARBON CRD20TJ122T
FRONT	R512		00MGD05122160	00MGD05122160	RES.	1.2K OHM 1/6W J CARBON CRD20TJ122T
FRONT	R513		00MGD05333160	00MGD05333160	RES.	33K OHM 1/6W J CARBON CRD20TJ333T
FRONT	R514		00MGD05333160	00MGD05333160	RES.	33K OHM 1/6W J CARBON CRD20TJ333T
FRONT	R515		00MGD05122160	00MGD05122160	RES.	1.2K OHM 1/6W J CARBON CRD20TJ122T
FRONT	R516		00MGD05122160	00MGD05122160	RES.	1.2K OHM 1/6W J CARBON CRD20TJ122T
FRONT	R517		00MGD05333160	00MGD05333160	RES.	33K OHM 1/6W J CARBON CRD20TJ333T
FRONT	R518		00MGD05333160	00MGD05333160	RES.	33K OHM 1/6W J CARBON CRD20TJ333T
FRONT	R519		00MGD05221160	00MGD05221160	RES.	220 OHM 1/6W J CARBON CRD20TJ221T
FRONT	R520		00MGD05221160	00MGD05221160	RES.	220 OHM 1/6W J CARBON CRD20TJ221T

NOTE : "nsp" PART IS LISTED FOR REFERENCE ONLY, D&M WILL NOT SUPPLY THESE PARTS.

P.W.B. NAME	POS. NO.	VERS. COLOR	PART NO. (FOR EUR)	PART NO. (MZ)	PART NAME	DESCRIPTION
FRONT	R521		00MGD05563160	00MGD05563160	RES.	56K OHM 1/6W J CARBON CRD20TJ563T
FRONT	R522		00MGD05563160	00MGD05563160	RES.	56K OHM 1/6W J CARBON CRD20TJ563T
FRONT	R523		00MNN05333610	00MNN05333610	CHIP RES.	33K OHM 1/10W J CRJ10DJ333T
FRONT	R524		00MNN05101610	00MNN05101610	CHIP RES.	100 OHM 1/10W J CRJ10DJ101T
FRONT	R525		00MNN05333610	00MNN05333610	CHIP RES.	33K OHM 1/10W J CRJ10DJ333T
FRONT	R526		00MNN05103610	00MNN05103610	CHIP RES.	10K OHM 1/10W J CRJ10DJ103T
FRONT	R527		00MNN05103610	00MNN05103610	CHIP RES.	10K OHM 1/10W J CRJ10DJ103T
FRONT	R528		00MNN05103610	00MNN05103610	CHIP RES.	10K OHM 1/10W J CRJ10DJ103T
FRONT	R601		00MNN05000610	00MNN05000610	CHIP RES.	0 OHM 1/10W J CRJ10DJ0R0T
FRONT	R605		00MNN05103610	00MNN05103610	CHIP RES.	10K OHM 1/10W J CRJ10DJ103T
FRONT	R607		00MNN05103610	00MNN05103610	CHIP RES.	10K OHM 1/10W J CRJ10DJ103T
FRONT	R608		00MNN05000610	00MNN05000610	CHIP RES.	0 OHM 1/10W J CRJ10DJ0R0T
FRONT	R610		00MNN05101610	00MNN05101610	CHIP RES.	100 OHM 1/10W J CRJ10DJ101T
FRONT	R611		00MNN05101610	00MNN05101610	CHIP RES.	100 OHM 1/10W J CRJ10DJ101T
FRONT	R612		00MNN05101610	00MNN05101610	CHIP RES.	100 OHM 1/10W J CRJ10DJ101T
FRONT	R615		00MNN05473610	00MNN05473610	CHIP RES.	47K OHM 1/10W J CRJ10DJ473T
FRONT	R617		00MNN05223610	00MNN05223610	CHIP RES.	22K OHM 1/10W J CRJ10DJ223T
FRONT	R619		00MNN05103610	00MNN05103610	CHIP RES.	10K OHM 1/10W J CRJ10DJ103T
FRONT	R622		00MNN05101610	00MNN05101610	CHIP RES.	100 OHM 1/10W J CRJ10DJ101T
FRONT	R623		00MNN05223610	00MNN05223610	CHIP RES.	22K OHM 1/10W J CRJ10DJ223T
FRONT	R624		00MNN05223610	00MNN05223610	CHIP RES.	22K OHM 1/10W J CRJ10DJ223T
FRONT	R625		00MNN05103610	00MNN05103610	CHIP RES.	10K OHM 1/10W J CRJ10DJ103T
FRONT	R626		00MNN05223610	00MNN05223610	CHIP RES.	22K OHM 1/10W J CRJ10DJ223T
FRONT	R627		00MNN05121610	00MNN05121610	CHIP RES.	120 OHM 1/10W J CRJ10DJ121T
FRONT	R628		00MNN05105610	00MNN05105610	CHIP RES.	1M OHM 1/10W J CRJ10DJ105T
FRONT	R629		00MNN05101610	00MNN05101610	CHIP RES.	100 OHM 1/10W J CRJ10DJ101T
FRONT	R630		00MNN05103610	00MNN05103610	CHIP RES.	10K OHM 1/10W J CRJ10DJ103T
FRONT	R635		00MNN05472610	00MNN05472610	CHIP RES.	4.7K OHM 1/10W J CRJ10DJ472T
FRONT	R636		00MNN05472610	00MNN05472610	CHIP RES.	4.7K OHM 1/10W J CRJ10DJ472T
FRONT	R637		00MNI05472110	00MNI05472110	CHIP RES.	4.7K OHM +- 5% 1/8W CRJ18AJ472T
FRONT	R641		00MNN05272610	00MNN05272610	CHIP RES.	2.7K OHM 1/10W J CRJ10DJ272T
FRONT	R642		00MNN05272610	00MNN05272610	CHIP RES.	2.7K OHM 1/10W J CRJ10DJ272T
FRONT	R643		00MNN05272610	00MNN05272610	CHIP RES.	2.7K OHM 1/10W J CRJ10DJ272T
FRONT	R644		00MNN05272610	00MNN05272610	CHIP RES.	2.7K OHM 1/10W J CRJ10DJ272T
FRONT	R648		00MNN05103610	00MNN05103610	CHIP RES.	10K OHM 1/10W J CRJ10DJ103T
FRONT	R651		00MNN05103610	00MNN05103610	CHIP RES.	10K OHM 1/10W J CRJ10DJ103T
FRONT	R652		00MNN05103610	00MNN05103610	CHIP RES.	10K OHM 1/10W J CRJ10DJ103T
FRONT	R653		00MNN05103610	00MNN05103610	CHIP RES.	10K OHM 1/10W J CRJ10DJ103T
FRONT	R654		00MNN05103610	00MNN05103610	CHIP RES.	10K OHM 1/10W J CRJ10DJ103T
FRONT	R655		00MNN05103610	00MNN05103610	CHIP RES.	10K OHM 1/10W J CRJ10DJ103T
FRONT	R656		00MNN05103610	00MNN05103610	CHIP RES.	10K OHM 1/10W J CRJ10DJ103T
FRONT	R658		00MNN05221610	00MNN05221610	CHIP RES.	220 OHM 1/10W J CRJ10DJ221T
FRONT	R659		00MNN05221610	00MNN05221610	CHIP RES.	220 OHM 1/10W J CRJ10DJ221T
FRONT	R660		00MGD05103160	00MGD05103160	RES.	10K OHM 1/6W J CARBON CRD20TJ103T
FRONT	R675		00MNN05152610	00MNN05152610	CHIP RES.	1.5K OHM 1/10W J CRJ10DJ152T
FRONT	R681		00MGD05100160	00MGD05100160	RES.	10 OHM 1/6W J CARBON CRD20TJ100T
FRONT	R683		00MGD05222160	00MGD05222160	RES.	2.2K OHM 1/6W J CARBON CRD20TJ222T
FRONT	R684		00MGD05222160	00MGD05222160	RES.	2.2K OHM 1/6W J CARBON CRD20TJ222T
FRONT	R685		00MGD05473160	00MGD05473160	RES.	47K OHM 1/6W J CARBON CRD20TJ473T
FRONT	R686		00MGD05473160	00MGD05473160	RES.	47K OHM 1/6W J CARBON CRD20TJ473T
FRONT	R687		00MGD05222160	00MGD05222160	RES.	2.2K OHM 1/6W J CARBON CRD20TJ222T
FRONT	R688		00MGD05222160	00MGD05222160	RES.	2.2K OHM 1/6W J CARBON CRD20TJ222T
FRONT	R694		00MNN05272610	00MNN05272610	CHIP RES.	2.7K OHM 1/10W J CRJ10DJ272T
FRONT	R695		00MNN05182610	00MNN05182610	CHIP RES.	1.8K OHM 1/10W J CRJ10DJ182T
FRONT	R696		00MNN05152610	00MNN05152610	CHIP RES.	1.5K OHM 1/10W J CRJ10DJ152T
FRONT	R697		00MNN05102610	00MNN05102610	CHIP RES.	1K OHM 1/10W J CRJ10DJ102T
FRONT	R698		nsp	nsp	RES.	47 OHM 1/4W J CARBON CRD25TJ470T
FRONT	R699		nsp	nsp	RES.	47 OHM 1/4W J CARBON CRD25TJ470T
FRONT	R927		00MGD05682160	00MGD05682160	RES.	6.8K OHM 1/6W J CARBON CRD20TJ682T
FRONT	R929		nsp	nsp	RES.	10 OHM 1/4W J CARBON CRD25TJ100T
FRONT	R930		00MGD05103160	00MGD05103160	RES.	10K OHM 1/6W J CARBON CRD20TJ103T
FRONT	R931		nsp	nsp	RES.	RES, CARBON CRD25TJ4R7T
FRONT	R932		00MGD05473160	00MGD05473160	RES.	47K OHM 1/6W J CARBON CRD20TJ473T
FRONT	R936		00MGD05470160	00MGD05470160	RES.	47 OHM 1/6W J CARBON CRD20TJ470T
FRONT	RC61		00MHW10004210	00MHW10004210	PHOTO UNIT	RPM6936-V4 CRVRPM6936V4

NOTE : "nsp" PART IS LISTED FOR REFERENCE ONLY, D&M WILL NOT SUPPLY THESE PARTS.

P.W.B. NAME	POS. NO.	VERS. COLOR	PART NO. (FOR EUR)	PART NO. (MZ)	PART NAME	DESCRIPTION
FRONT	RY41		943682000810S	943682000810S	RELAY	BC3-12H 12V 2C2P CSL4A016ZU
FRONT	RY51		943682000810S	943682000810S	RELAY	BC3-12H 12V 2C2P CSL4A016ZU
FRONT	▲RY92		943682004660S	943682004660S	RELAY	! RELAY G5PA-1 DC6V CSL1E002ZE
FRONT	S101		90M-SP001210R	90M-SP001210R	SW	SKHV10910G TACT CST1A012ZT
FRONT	S102		90M-SP001210R	90M-SP001210R	SW	SKHV10910G TACT CST1A012ZT
FRONT	S103		90M-SP001210R	90M-SP001210R	SW	SKHV10910G TACT CST1A012ZT
FRONT	S104		90M-SP001210R	90M-SP001210R	SW	SKHV10910G TACT CST1A012ZT
FRONT	SW31		90M-SR000290R	90M-SR000290R	ROTARY SW	0 CSR2A034Z
FRONT	▲SW91		90M-SP001250R	90M-SP001250R	SW	JPP1197CSA64 KSH1A001ZV
FRONT	▲TRS1		90M-TS003180R	90M-TS003180R	TRANSF.	# TRANSF. SUB CD6002/N CLT5I009ZE
FRONT	TW91		nsp	nsp	CONN.	2P 7.92MM(YUNHO) CJP02KA060ZY
FRONT	VR51		90M-RB000060R	90M-RB000060R	VAR. RES.	RES. VARIABLE(BALANCE) CVV2X11M203Z
FRONT	VR53		90M-RB000070R	90M-RB000070R	VAR. RES.	VR MOTOR CVV9Y13B503Z
FRONT	VR54		90M-RB000050R	90M-RB000050R	VAR. RES.	RES. VARIABLE(TONE) CVV2X10B103Z
FRONT	VR55		90M-RB000050R	90M-RB000050R	VAR. RES.	RES. VARIABLE(TONE) CVV2X10B103Z
FRONT	X621		90M-JX001270R	90M-JX001270R	X'TAL	16.000MHZ HOX16000E160T
FRONT		K1SG	nsp	nsp	PCB	PCB, FRONT PM6003 (330X247, FR1/1) CUP12183Z
FRONT		N1B	nsp	nsp	PCB	PCB, FRONT PM6003 (330X247, FR1/1) CUP12183Z
FRONT		N1SG	nsp	nsp	PCB	PCB, FRONT PM6003 (330X247, FR1/1) CUP12183Z
						MAIN (CPU12184Z)
MAIN	BK01		nsp	nsp	SHIELD	SHIELD PLATE CMD1A576
MAIN	C101		nsp	nsp	CER. CAP.	220PF 50V K CCBS1H221KBT
MAIN	C102		nsp	nsp	CER. CAP.	220PF 50V K CCBS1H221KBT
MAIN	C103		nsp	nsp	CER. CAP.	220PF 50V K CCBS1H221KBT
MAIN	C104		nsp	nsp	CER. CAP.	220PF 50V K CCBS1H221KBT
MAIN	C105		00MOA10605020	00MOA10605020	ELECT CAP.	10UF 50V CCEA1HH100T
MAIN	C106		00MOA10605020	00MOA10605020	ELECT CAP.	10UF 50V CCEA1HH100T
MAIN	C109		00MOA22702520	00MOA22702520	ELECT CAP.	220UF 25V CCEA1EH221T
MAIN	C110		00MOA22702520	00MOA22702520	ELECT CAP.	220UF 25V CCEA1EH221T
MAIN	C111		nsp	nsp	FILM CAP.	0.039UF 100V J MYLAR HCQ1H393JZT
MAIN	C112		nsp	nsp	FILM CAP.	0.039UF 100V J MYLAR HCQ1H393JZT
MAIN	C113		nsp	nsp	FILM CAP.	0.01UF 100V J MYLAR HCQ1H103JZT
MAIN	C114		nsp	nsp	FILM CAP.	0.01UF 100V J MYLAR HCQ1H103JZT
MAIN	C115		nsp	nsp	FILM CAP.	1000PF 100V J MYLAR HCQ1H102JZT
MAIN	C116		nsp	nsp	FILM CAP.	1000PF 100V J MYLAR HCQ1H102JZT
MAIN	C117		00MOA22605020	00MOA22605020	ELECT CAP.	22UF 50V CCEA1HH220T
MAIN	C118		00MOA22605020	00MOA22605020	ELECT CAP.	22UF 50V CCEA1HH220T
MAIN	C119		90M-OF100350R	90M-OF100350R	FILM CAP.	2200PF 100V J MYLAR HCQ1H222JZT
MAIN	C120		90M-OF100350R	90M-OF100350R	FILM CAP.	2200PF 100V J MYLAR HCQ1H222JZT
MAIN	C121		00MOA22702520	00MOA22702520	ELECT CAP.	220UF 25V CCEA1EH221T
MAIN	C122		00MOA22702520	00MOA22702520	ELECT CAP.	220UF 25V CCEA1EH221T
MAIN	C123		nsp	nsp	CER. CAP.	0.1UF 50V Z CERAMIC CCBS1H104ZFT
MAIN	C124		nsp	nsp	CER. CAP.	0.1UF 50V Z CERAMIC CCBS1H104ZFT
MAIN	C201		nsp	nsp	CER. CAP.	0.022UF 50V Z CERAMIC CCBS1H223ZFT
MAIN	C202		nsp	nsp	CER. CAP.	0.022UF 50V Z CERAMIC CCBS1H223ZFT
MAIN	C203		nsp	nsp	CER. CAP.	0.022UF 50V Z CERAMIC CCBS1H223ZFT
MAIN	C204		nsp	nsp	CER. CAP.	0.022UF 50V Z CERAMIC CCBS1H223ZFT
MAIN	C205		nsp	nsp	CER. CAP.	0.022UF 50V Z CERAMIC CCBS1H223ZFT
MAIN	C206		nsp	nsp	CER. CAP.	0.022UF 50V Z CERAMIC CCBS1H223ZFT
MAIN	C207		nsp	nsp	CER. CAP.	0.022UF 50V Z CERAMIC CCBS1H223ZFT
MAIN	C208		nsp	nsp	CER. CAP.	0.022UF 50V Z CERAMIC CCBS1H223ZFT
MAIN	C209		nsp	nsp	CER. CAP.	0.022UF 50V Z CERAMIC CCBS1H223ZFT
MAIN	C210		nsp	nsp	CER. CAP.	0.022UF 50V Z CERAMIC CCBS1H223ZFT
MAIN	C211		nsp	nsp	CER. CAP.	0.022UF 50V Z CERAMIC CCBS1H223ZFT
MAIN	C212		nsp	nsp	CER. CAP.	0.022UF 50V Z CERAMIC CCBS1H223ZFT
MAIN	C213		nsp	nsp	CER. CAP.	0.022UF 50V Z CERAMIC CCBS1H223ZFT
MAIN	C214		nsp	nsp	CER. CAP.	0.022UF 50V Z CERAMIC CCBS1H223ZFT
MAIN	C215		00MOA106035Z0	00MOA106035Z0	ELECT CAP.	10UF 35V ROS HCEA1VR100T
MAIN	C216		00MOA106035Z0	00MOA106035Z0	ELECT CAP.	10UF 35V ROS HCEA1VR100T
MAIN	C217		00MOA10605020	00MOA10605020	ELECT CAP.	10UF 50V CCEA1HH100T
MAIN	C218		00MOA10605020	00MOA10605020	ELECT CAP.	10UF 50V CCEA1HH100T
MAIN	C219		00MOA22702520	00MOA22702520	ELECT CAP.	220UF 25V CCEA1EH221T
MAIN	C220		00MOA22702520	00MOA22702520	ELECT CAP.	220UF 25V CCEA1EH221T
MAIN	C221		nsp	nsp	CER. CAP.	150PF 50V K CCBS1H151KBT
MAIN	C222		nsp	nsp	CER. CAP.	150PF 50V K CCBS1H151KBT

NOTE : "nsp" PART IS LISTED FOR REFERENCE ONLY, D&M WILL NOT SUPPLY THESE PARTS.

P.W.B. NAME	POS. NO.	VERS. COLOR	PART NO. (FOR EUR)	PART NO. (MZ)	PART NAME	DESCRIPTION
MAIN	C223		nsp	nsp	CER. CAP.	150PF 50V K CCBS1H151KBT
MAIN	C224		nsp	nsp	CER. CAP.	150PF 50V K CCBS1H151KBT
MAIN	C225		nsp	nsp	CER. CAP.	150PF 50V K CCBS1H151KBT
MAIN	C226		nsp	nsp	CER. CAP.	150PF 50V K CCBS1H151KBT
MAIN	C227		nsp	nsp	CER. CAP.	150PF 50V K CCBS1H151KBT
MAIN	C228		nsp	nsp	CER. CAP.	150PF 50V K CCBS1H151KBT
MAIN	C229		nsp	nsp	CER. CAP.	150PF 50V K CCBS1H151KBT
MAIN	C230		nsp	nsp	CER. CAP.	150PF 50V K CCBS1H151KBT
MAIN	C231		nsp	nsp	CER. CAP.	150PF 50V K CCBS1H151KBT
MAIN	C232		nsp	nsp	CER. CAP.	150PF 50V K CCBS1H151KBT
MAIN	C233		nsp	nsp	CER. CAP.	150PF 50V K CCBS1H151KBT
MAIN	C234		nsp	nsp	CER. CAP.	150PF 50V K CCBS1H151KBT
MAIN	C235		00MOA106035Z0	00MOA106035Z0	ELECT CAP.	10UF 35V ROS HCEA1VR100T
MAIN	C236		00MOA106035Z0	00MOA106035Z0	ELECT CAP.	10UF 35V ROS HCEA1VR100T
MAIN	C237		00MOA22702520	00MOA22702520	ELECT CAP.	220UF 25V CCEA1EH221T
MAIN	C238		00MOA22702520	00MOA22702520	ELECT CAP.	220UF 25V CCEA1EH221T
MAIN	C239		nsp	nsp	CER. CAP.	0.022UF 50V Z CERAMIC CCBS1H223ZFT
MAIN	C240		nsp	nsp	CER. CAP.	0.022UF 50V Z CERAMIC CCBS1H223ZFT
MAIN	C241		00MOA47505020	00MOA47505020	ELECT CAP.	4.7UF 50V CCEA1HH4R7T
MAIN	C242		nsp	nsp	CER. CAP.	1000PF 50V B CERAMIC CCBS1H102KBT
MAIN	C243		nsp	nsp	CER. CAP.	470PF 50V CCBS1H471KBT
MAIN	C244		nsp	nsp	CER. CAP.	470PF 50V CCBS1H471KBT
MAIN	C245		00MOA22702520	00MOA22702520	ELECT CAP.	220UF 25V CCEA1EH221T
MAIN	C246		00MOA22702520	00MOA22702520	ELECT CAP.	220UF 25V CCEA1EH221T
MAIN	C283		nsp	nsp	CER. CAP.	0.022UF 50V Z CERAMIC CCBS1H223ZFT
MAIN	C286		00MOA106035Z0	00MOA106035Z0	ELECT CAP.	10UF 35V ROS HCEA1VR100T
MAIN	C287		00MOA106035Z0	00MOA106035Z0	ELECT CAP.	10UF 35V ROS HCEA1VR100T
MAIN	C288		00MOF15331540	00MOF15331540	FILM CAP.	APSPA0100J33100 POLYPROPYLENE CCMP2A331JN09T
MAIN	C289		00MOF15331540	00MOF15331540	FILM CAP.	APSPA0100J33100 POLYPROPYLENE CCMP2A331JN09T
MAIN	C300		943133002360S	943133002360S	FILM CAP.	APSPA0100J10100 POLYPROPYLENE CCMP2A101JN09T
MAIN	C301		943133002360S	943133002360S	FILM CAP.	APSPA0100J10100 POLYPROPYLENE CCMP2A101JN09T
MAIN	C304		00MOA476016Z0	00MOA476016Z0	ELECT CAP.	47UF 16V ROS HCEA1CR470T
MAIN	C305		00MOA476016Z0	00MOA476016Z0	ELECT CAP.	47UF 16V ROS HCEA1CR470T
MAIN	C306		943139005710M	943139005710M	CAP POLY	CAP, POLYPROPYLENE(470PF/100V) CCMP2A471JN09T
MAIN	C307		943139005710M	943139005710M	CAP POLY	CAP, POLYPROPYLENE(470PF/100V) CCMP2A471JN09T
MAIN	C309		00MOA10702520	00MOA10702520	ELECT CAP.	100UF 25V CCEA1EH101T
MAIN	C310		00MOA10702520	00MOA10702520	ELECT CAP.	100UF 25V CCEA1EH101T
MAIN	C311		00MOA10702520	00MOA10702520	ELECT CAP.	100UF 25V CCEA1EH101T
MAIN	C312		00MOA10702520	00MOA10702520	ELECT CAP.	100UF 25V CCEA1EH101T
MAIN	C341		00MOA22705020	00MOA22705020	ELECT CAP.	220UF 50V CCEA1HH221E
MAIN	C342		00MOA22705020	00MOA22705020	ELECT CAP.	220UF 50V CCEA1HH221E
MAIN	C343		00MOA22705020	00MOA22705020	ELECT CAP.	220UF 50V CCEA1HH221E
MAIN	C344		00MOA22705020	00MOA22705020	ELECT CAP.	220UF 50V CCEA1HH221E
MAIN	C345		00MOA47602520	00MOA47602520	ELECT CAP.	47UF 25V CCEA1EH470T
MAIN	C346		00MOA47602520	00MOA47602520	ELECT CAP.	47UF 25V CCEA1EH470T
MAIN	C367		nsp	nsp	FILM CAP.	0.047UF 100V J MYLAR HCQ11H473JZT
MAIN	C368		nsp	nsp	FILM CAP.	0.047UF 100V J MYLAR HCQ11H473JZT
MAIN	C373		nsp	nsp	FILM CAP.	0.01UF 100V J MYLAR HCQ11H103JZT
MAIN	C374		nsp	nsp	FILM CAP.	0.01UF 100V J MYLAR HCQ11H103JZT
MAIN	C379		00MOA47405020	00MOA47405020	ELECT CAP.	0.47UF 50V CCEA1HHR47T
MAIN	C385		nsp	nsp	CER. CAP.	0.01UF 50V Z CCFT1H103ZF
MAIN	C391		nsp	nsp	FILM CAP.	0.01UF 100V J MYLAR HCQ11H103JZT
MAIN	C392		nsp	nsp	FILM CAP.	0.01UF 100V J MYLAR HCQ11H103JZT
MAIN	C393		nsp	nsp	FILM CAP.	0.01UF 100V J MYLAR HCQ11H103JZT
MAIN	C394		nsp	nsp	FILM CAP.	0.01UF 100V J MYLAR HCQ11H103JZT
MAIN	C395		90M-OF100370R	90M-OF100370R	FILM CAP.	0.022UF 100V J MYLAR HCQ11H223JZT
MAIN	C396		90M-OF100370R	90M-OF100370R	FILM CAP.	0.022UF 100V J MYLAR HCQ11H223JZT
MAIN	▲C905		943134004460S	943134004460S	ELECT CAP.	LAO-63V103MS56P CCET63VLAO103NZ
MAIN	▲C906		943134004460S	943134004460S	ELECT CAP.	LAO-63V103MS56P CCET63VLAO103NZ
MAIN	C913		nsp	nsp	FILM CAP.	0.047UF 100V J MYLAR HCQ11H473JZT
MAIN	C914		00MOA33505020	00MOA33505020	ELECT CAP.	3.3UF 50V CCEA1HH3R3T
MAIN	▲C917		00MOA47802520	00MOA47802520	ELECT CAP.	4700UF 25V RA-2 HCEA1ERA472E
MAIN	▲C918		00MOA47802520	00MOA47802520	ELECT CAP.	4700UF 25V RA-2 HCEA1ERA472E
MAIN	C919		00MOA47602520	00MOA47602520	ELECT CAP.	47UF 25V CCEA1EH470T
MAIN	C920		00MOA47602520	00MOA47602520	ELECT CAP.	47UF 25V CCEA1EH470T

NOTE : "nsp" PART IS LISTED FOR REFERENCE ONLY, D&M WILL NOT SUPPLY THESE PARTS.

P.W.B. NAME	POS. NO.	VERS. COLOR	PART NO. (FOR EUR)	PART NO. (MZ)	PART NAME	DESCRIPTION
MAIN	C921		00MOA10702520	00MOA10702520	ELECT CAP.	100UF 25V CCEA1EH101T
MAIN	C922		00MOA10702520	00MOA10702520	ELECT CAP.	100UF 25V CCEA1EH101T
MAIN	C923		00MOA47602520	00MOA47602520	ELECT CAP.	47UF 25V CCEA1EH470T
MAIN	C926		00MOA22605020	00MOA22605020	ELECT CAP.	22UF 50V CCEA1HH220T
MAIN	C927		00MOA47602520	00MOA47602520	ELECT CAP.	47UF 25V CCEA1EH470T
MAIN	C928		nsp	nsp	CER. CAP.	0.043UF 50V Z CCFT1H473ZF
MAIN	C929		nsp	nsp	CER. CAP.	0.022UF 50V Z CERAMIC CCBS1H223ZFT
MAIN	C939		00MOA47605020	00MOA47605020	ELECT CAP.	47UF 50V CCEA1HH470T
MAIN	C940		nsp	nsp	CER. CAP.	1000PF 50V B CERAMIC CCBS1H102KBT
MAIN	CN12		nsp	nsp	WAFER	LOCKING TYPE, STRAIGHT WAFER, 2.5MM CJP05GI237ZW
MAIN	CN33		nsp	nsp	WAFER	LOCKING TYPE, STRAIGHT WAFER, 2.5MM CJP05GI237ZW
MAIN	CN37		nsp	nsp	CONN.	2P STRAIGHT YMW025-02R CJP02GA01ZY
MAIN	CN38		nsp	nsp	CONN.	2P STRAIGHT YMW025-02R CJP02GA01ZY
MAIN	CN55		nsp	nsp	WAFER	LOCKING TYPE, STRAIGHT WAFER, 2.5MM CJP03GI237ZW
MAIN	CN90		nsp	nsp	CONN.	3P WAFER CJP03GA90ZY
MAIN	CN92		nsp	nsp	WAFER	LOCKING TYPE, STRAIGHT WAFER, 2.5MM CJP05GI237ZW
MAIN	CN95		nsp	nsp	WAFER	LOCKING TYPE, STRAIGHT WAFER, 2.5MM CJP15GI237ZW
MAIN	D178		00MHD20015210	00MHD20015210	DIODE	1SS133T-77 CVD1SS133MT
MAIN	D251		00MHD20015210	00MHD20015210	DIODE	1SS133T-77 CVD1SS133MT
MAIN	D301		00MHD20015210	00MHD20015210	DIODE	1SS133T-77 CVD1SS133MT
MAIN	D302		00MHD20015210	00MHD20015210	DIODE	1SS133T-77 CVD1SS133MT
MAIN	D303		00MHD20015210	00MHD20015210	DIODE	1SS133T-77 CVD1SS133MT
MAIN	D304		00MHD20015210	00MHD20015210	DIODE	1SS133T-77 CVD1SS133MT
MAIN	D305		00MHD20015210	00MHD20015210	DIODE	1SS133T-77 CVD1SS133MT
MAIN	D306		00MHD20015210	00MHD20015210	DIODE	1SS133T-77 CVD1SS133MT
MAIN	D307		00MHD20015210	00MHD20015210	DIODE	1SS133T-77 CVD1SS133MT
MAIN	D308		00MHD20015210	00MHD20015210	DIODE	1SS133T-77 CVD1SS133MT
MAIN	D309		943202000940S	943202000940S	ZENER DIODE	ZJ16B 1/2W CVDZJ16BT
MAIN	D310		943202000940S	943202000940S	ZENER DIODE	ZJ16B 1/2W CVDZJ16BT
MAIN	D311		943202000940S	943202000940S	ZENER DIODE	ZJ16B 1/2W CVDZJ16BT
MAIN	D312		943202000940S	943202000940S	ZENER DIODE	ZJ16B 1/2W CVDZJ16BT
MAIN	D373		00MHD20015210	00MHD20015210	DIODE	1SS133T-77 CVD1SS133MT
MAIN	D374		00MHD20015210	00MHD20015210	DIODE	1SS133T-77 CVD1SS133MT
MAIN	D383		00MHD20015210	00MHD20015210	DIODE	1SS133T-77 CVD1SS133MT
MAIN	D388		00MHD20015210	00MHD20015210	DIODE	1SS133T-77 CVD1SS133MT
MAIN	D391		00MHD20015210	00MHD20015210	DIODE	1SS133T-77 CVD1SS133MT
MAIN	D392		00MHD20015210	00MHD20015210	DIODE	1SS133T-77 CVD1SS133MT
MAIN	▲D901		90M-HE200330R	90M-HE200330R	DIODE	BU804F HVDKBU804F
MAIN	▲D911		00MHD20055100	00MHD20055100	DIODE	SHOTTKY 11EQS10 1A 100V CVD11EQS10GT
MAIN	▲D912		00MHD20055100	00MHD20055100	DIODE	SHOTTKY 11EQS10 1A 100V CVD11EQS10GT
MAIN	▲D913		00MHD20055100	00MHD20055100	DIODE	SHOTTKY 11EQS10 1A 100V CVD11EQS10GT
MAIN	▲D914		00MHD20055100	00MHD20055100	DIODE	SHOTTKY 11EQS10 1A 100V CVD11EQS10GT
MAIN	D915		00MHD20015210	00MHD20015210	DIODE	1SS133T-77 CVD1SS133MT
MAIN	D916		90M-HD201730R	90M-HD201730R	DIODE	1N4003 CVD1N4003ST
MAIN	D917		90M-HD201730R	90M-HD201730R	DIODE	1N4003 CVD1N4003ST
MAIN	D921		90M-HD302450R	90M-HD302450R	ZENER DIODE	ZJ13B 1/2W CVDZJ13BT
MAIN	D922		00MHD20015210	00MHD20015210	DIODE	1SS133T-77 CVD1SS133MT
MAIN	D923		00MHD20015210	00MHD20015210	DIODE	1SS133T-77 CVD1SS133MT
MAIN	D924		00MHD20015210	00MHD20015210	DIODE	1SS133T-77 CVD1SS133MT
MAIN	D925		90M-HD302470R	90M-HD302470R	ZENER DIODE	ZJ6.2B 1/2W CVDZJ6.2BT
MAIN	GND1		nsp	nsp	TERMINAL	EARTH PLATE MET37-0002 HJT1A025
MAIN	IC11		00MHC10102090	00MHC10102090	IC	NJM2068MD-TE1 HVINJM2068MDTE1
MAIN	IC21		00MHC10309030	00MHC10309030	IC	LC78212 HVILC78212
MAIN	IC22		00MHC10102090	00MHC10102090	IC	NJM2068MD-TE1 HVINJM2068MDTE1
MAIN	IC23		90M-HC109460R	90M-HC109460R	IC	NJM2114M HVINJM2114M
MAIN	IC31		90M-HC109460R	90M-HC109460R	IC	NJM2114M HVINJM2114M
MAIN	IC32		90M-HC109460R	90M-HC109460R	IC	NJM2114M HVINJM2114M
MAIN	▲IC93		nsp	nsp	HEAT SINK	I.C, HEAT SINK ASS'Y (CMY2A223) CVIKIA7815APIJA
MAIN	▲IC94		nsp	nsp	HEAT SINK	I.C, HEAT SINK ASS'Y (CMY2A223) CVIKIA7915PIJA
MAIN	▲IC95		00MHC3890599F	00MHC3890599F	IC	KIA7805API HVIKIA7805API
MAIN	J104		nsp	nsp	CORD	SN95/PB5 0.6 C3A206

NOTE : "nsp" PART IS LISTED FOR REFERENCE ONLY, D&M WILL NOT SUPPLY THESE PARTS.

P.W.B. NAME	POS. NO.	VERS. COLOR	PART NO. (FOR EUR)	PART NO. (MZ)	PART NAME	DESCRIPTION
MAIN	J105		nsp	nsp	CORD	SN95/PB5 0.6 C3A206
MAIN	J106		nsp	nsp	CORD	SN95/PB5 0.6 C3A206
MAIN	J107		nsp	nsp	CORD	SN95/PB5 0.6 C3A206
MAIN	J109		nsp	nsp	CORD	SN95/PB5 0.6 C3A206
MAIN	J110		nsp	nsp	CORD	SN95/PB5 0.6 C3A206
MAIN	J111		nsp	nsp	CORD	SN95/PB5 0.6 C3A206
MAIN	J112		nsp	nsp	CORD	SN95/PB5 0.6 C3A206
MAIN	J113		nsp	nsp	CORD	SN95/PB5 0.6 C3A206
MAIN	J202		nsp	nsp	CORD	SN95/PB5 0.6 C3A206
MAIN	J203		nsp	nsp	CORD	SN95/PB5 0.6 C3A206
MAIN	J204		nsp	nsp	CORD	SN95/PB5 0.6 C3A206
MAIN	J205		nsp	nsp	CORD	SN95/PB5 0.6 C3A206
MAIN	J206		nsp	nsp	CORD	SN95/PB5 0.6 C3A206
MAIN	J207		nsp	nsp	CORD	SN95/PB5 0.6 C3A206
MAIN	J208		nsp	nsp	CORD	SN95/PB5 0.6 C3A206
MAIN	J209		nsp	nsp	CORD	SN95/PB5 0.6 C3A206
MAIN	J210		nsp	nsp	CORD	SN95/PB5 0.6 C3A206
MAIN	J211		nsp	nsp	CORD	SN95/PB5 0.6 C3A206
MAIN	J212		nsp	nsp	CORD	SN95/PB5 0.6 C3A206
MAIN	J213		nsp	nsp	CORD	SN95/PB5 0.6 C3A206
MAIN	J214		nsp	nsp	CORD	SN95/PB5 0.6 C3A206
MAIN	J215		nsp	nsp	CORD	SN95/PB5 0.6 C3A206
MAIN	J216		nsp	nsp	CORD	SN95/PB5 0.6 C3A206
MAIN	J301		nsp	nsp	CORD	SN95/PB5 0.6 C3A206
MAIN	J302		nsp	nsp	CORD	SN95/PB5 0.6 C3A206
MAIN	J303		nsp	nsp	CORD	SN95/PB5 0.6 C3A206
MAIN	J304		nsp	nsp	CORD	SN95/PB5 0.6 C3A206
MAIN	J305		nsp	nsp	CORD	SN95/PB5 0.6 C3A206
MAIN	J306		nsp	nsp	CORD	SN95/PB5 0.6 C3A206
MAIN	J308		nsp	nsp	CORD	SN95/PB5 0.6 C3A206
MAIN	J309		nsp	nsp	CORD	SN95/PB5 0.6 C3A206
MAIN	J310		nsp	nsp	CORD	SN95/PB5 0.6 C3A206
MAIN	J311		nsp	nsp	CORD	SN95/PB5 0.6 C3A206
MAIN	J312		nsp	nsp	CORD	SN95/PB5 0.6 C3A206
MAIN	J313		nsp	nsp	CORD	SN95/PB5 0.6 C3A206
MAIN	J315		nsp	nsp	CORD	SN95/PB5 0.6 C3A206
MAIN	J316		nsp	nsp	CORD	SN95/PB5 0.6 C3A206
MAIN	J317		nsp	nsp	CORD	SN95/PB5 0.6 C3A206
MAIN	J318		nsp	nsp	CORD	SN95/PB5 0.6 C3A206
MAIN	J319		nsp	nsp	CORD	SN95/PB5 0.6 C3A206
MAIN	J321		nsp	nsp	CORD	SN95/PB5 0.6 C3A206
MAIN	J322		nsp	nsp	CORD	SN95/PB5 0.6 C3A206
MAIN	J323		nsp	nsp	CORD	SN95/PB5 0.6 C3A206
MAIN	J324		nsp	nsp	CORD	SN95/PB5 0.6 C3A206
MAIN	J326		nsp	nsp	CORD	SN95/PB5 0.6 C3A206
MAIN	J401		nsp	nsp	CORD	SN95/PB5 0.6 C3A206
MAIN	J402		nsp	nsp	CORD	SN95/PB5 0.6 C3A206
MAIN	J403		nsp	nsp	CORD	SN95/PB5 0.6 C3A206
MAIN	J404		nsp	nsp	CORD	SN95/PB5 0.6 C3A206
MAIN	J405		nsp	nsp	CORD	SN95/PB5 0.6 C3A206
MAIN	J406		nsp	nsp	CORD	SN95/PB5 0.6 C3A206
MAIN	J407		nsp	nsp	CORD	SN95/PB5 0.6 C3A206
MAIN	J408		nsp	nsp	CORD	SN95/PB5 0.6 C3A206
MAIN	J409		nsp	nsp	CORD	SN95/PB5 0.6 C3A206
MAIN	J410		nsp	nsp	CORD	SN95/PB5 0.6 C3A206
MAIN	J411		nsp	nsp	CORD	SN95/PB5 0.6 C3A206
MAIN	J412		nsp	nsp	CORD	SN95/PB5 0.6 C3A206
MAIN	J413		nsp	nsp	CORD	SN95/PB5 0.6 C3A206
MAIN	J414		nsp	nsp	CORD	SN95/PB5 0.6 C3A206
MAIN	J415		nsp	nsp	CORD	SN95/PB5 0.6 C3A206
MAIN	J416		nsp	nsp	CORD	SN95/PB5 0.6 C3A206
MAIN	J417		nsp	nsp	CORD	SN95/PB5 0.6 C3A206
MAIN	J419		nsp	nsp	CORD	SN95/PB5 0.6 C3A206
MAIN	J421		nsp	nsp	CORD	SN95/PB5 0.6 C3A206
MAIN	J422		nsp	nsp	CORD	SN95/PB5 0.6 C3A206

NOTE : "nsp" PART IS LISTED FOR REFERENCE ONLY, D&M WILL NOT SUPPLY THESE PARTS.

P.W.B. NAME	POS. NO.	VERS. COLOR	PART NO. (FOR EUR)	PART NO. (MZ)	PART NAME	DESCRIPTION
MAIN	J501		nsp	nsp	CORD	SN95/PB5 0.6 C3A206
MAIN	J502		nsp	nsp	CORD	SN95/PB5 0.6 C3A206
MAIN	J503		nsp	nsp	CORD	SN95/PB5 0.6 C3A206
MAIN	J504		nsp	nsp	CORD	SN95/PB5 0.6 C3A206
MAIN	J505		nsp	nsp	CORD	SN95/PB5 0.6 C3A206
MAIN	J506		nsp	nsp	CORD	SN95/PB5 0.6 C3A206
MAIN	J507		nsp	nsp	CORD	SN95/PB5 0.6 C3A206
MAIN	J508		nsp	nsp	CORD	SN95/PB5 0.6 C3A206
MAIN	J509		nsp	nsp	CORD	SN95/PB5 0.6 C3A206
MAIN	J510		nsp	nsp	CORD	SN95/PB5 0.6 C3A206
MAIN	J511		nsp	nsp	CORD	SN95/PB5 0.6 C3A206
MAIN	J512		nsp	nsp	CORD	SN95/PB5 0.6 C3A206
MAIN	J513		nsp	nsp	CORD	SN95/PB5 0.6 C3A206
MAIN	J514		nsp	nsp	CORD	SN95/PB5 0.6 C3A206
MAIN	J515		nsp	nsp	CORD	SN95/PB5 0.6 C3A206
MAIN	J516		nsp	nsp	CORD	SN95/PB5 0.6 C3A206
MAIN	J517		nsp	nsp	CORD	SN95/PB5 0.6 C3A206
MAIN	J518		nsp	nsp	CORD	SN95/PB5 0.6 C3A206
MAIN	J519		nsp	nsp	CORD	SN95/PB5 0.6 C3A206
MAIN	J520		nsp	nsp	CORD	SN95/PB5 0.6 C3A206
MAIN	J521		nsp	nsp	CORD	SN95/PB5 0.6 C3A206
MAIN	J522		nsp	nsp	CORD	SN95/PB5 0.6 C3A206
MAIN	J523		nsp	nsp	CORD	SN95/PB5 0.6 C3A206
MAIN	J524		nsp	nsp	CORD	SN95/PB5 0.6 C3A206
MAIN	J525		nsp	nsp	CORD	SN95/PB5 0.6 C3A206
MAIN	J526		nsp	nsp	CORD	SN95/PB5 0.6 C3A206
MAIN	J527		nsp	nsp	CORD	SN95/PB5 0.6 C3A206
MAIN	J529		nsp	nsp	CORD	SN95/PB5 0.6 C3A206
MAIN	J530		nsp	nsp	CORD	SN95/PB5 0.6 C3A206
MAIN	J531		nsp	nsp	CORD	SN95/PB5 0.6 C3A206
MAIN	J532		nsp	nsp	CORD	SN95/PB5 0.6 C3A206
MAIN	J533		nsp	nsp	CORD	SN95/PB5 0.6 C3A206
MAIN	J534		nsp	nsp	CORD	SN95/PB5 0.6 C3A206
MAIN	J535		nsp	nsp	CORD	SN95/PB5 0.6 C3A206
MAIN	J536		nsp	nsp	CORD	SN95/PB5 0.6 C3A206
MAIN	J537		nsp	nsp	CORD	SN95/PB5 0.6 C3A206
MAIN	J538		nsp	nsp	CORD	SN95/PB5 0.6 C3A206
MAIN	J539		nsp	nsp	CORD	SN95/PB5 0.6 C3A206
MAIN	J540		nsp	nsp	CORD	SN95/PB5 0.6 C3A206
MAIN	J541		nsp	nsp	CORD	SN95/PB5 0.6 C3A206
MAIN	J542		nsp	nsp	CORD	SN95/PB5 0.6 C3A206
MAIN	J601		nsp	nsp	CORD	SN95/PB5 0.6 C3A206
MAIN	J602		nsp	nsp	CORD	SN95/PB5 0.6 C3A206
MAIN	J604		nsp	nsp	CORD	SN95/PB5 0.6 C3A206
MAIN	J605		nsp	nsp	CORD	SN95/PB5 0.6 C3A206
MAIN	J606		nsp	nsp	CORD	SN95/PB5 0.6 C3A206
MAIN	J607		nsp	nsp	CORD	SN95/PB5 0.6 C3A206
MAIN	J608		nsp	nsp	CORD	SN95/PB5 0.6 C3A206
MAIN	J609		nsp	nsp	CORD	SN95/PB5 0.6 C3A206
MAIN	J610		nsp	nsp	CORD	SN95/PB5 0.6 C3A206
MAIN	J611		nsp	nsp	CORD	SN95/PB5 0.6 C3A206
MAIN	J612		nsp	nsp	CORD	SN95/PB5 0.6 C3A206
MAIN	J613		nsp	nsp	CORD	SN95/PB5 0.6 C3A206
MAIN	J614		nsp	nsp	CORD	SN95/PB5 0.6 C3A206
MAIN	J615		nsp	nsp	CORD	SN95/PB5 0.6 C3A206
MAIN	J616		nsp	nsp	CORD	SN95/PB5 0.6 C3A206
MAIN	J617		nsp	nsp	CORD	SN95/PB5 0.6 C3A206
MAIN	J618		nsp	nsp	CORD	SN95/PB5 0.6 C3A206
MAIN	J619		nsp	nsp	CORD	SN95/PB5 0.6 C3A206
MAIN	J701		nsp	nsp	CORD	SN95/PB5 0.6 C3A206
MAIN	J702		nsp	nsp	CORD	SN95/PB5 0.6 C3A206
MAIN	J703		nsp	nsp	CORD	SN95/PB5 0.6 C3A206
MAIN	J704		nsp	nsp	CORD	SN95/PB5 0.6 C3A206
MAIN	J705		nsp	nsp	CORD	SN95/PB5 0.6 C3A206
MAIN	J706		nsp	nsp	CORD	SN95/PB5 0.6 C3A206

NOTE : "nsp" PART IS LISTED FOR REFERENCE ONLY, D&M WILL NOT SUPPLY THESE PARTS.

P.W.B. NAME	POS. NO.	VERS. COLOR	PART NO. (FOR EUR)	PART NO. (MZ)	PART NAME	DESCRIPTION
MAIN	J801		nsp	nsp	CORD	SN95/PB5 0.6 C3A206
MAIN	J802		nsp	nsp	CORD	SN95/PB5 0.6 C3A206
MAIN	J803		nsp	nsp	CORD	SN95/PB5 0.6 C3A206
MAIN	J804		nsp	nsp	CORD	SN95/PB5 0.6 C3A206
MAIN	J805		nsp	nsp	CORD	SN95/PB5 0.6 C3A206
MAIN	J806		nsp	nsp	CORD	SN95/PB5 0.6 C3A206
MAIN	J807		nsp	nsp	CORD	SN95/PB5 0.6 C3A206
MAIN	J808		nsp	nsp	CORD	SN95/PB5 0.6 C3A206
MAIN	J809		nsp	nsp	CORD	SN95/PB5 0.6 C3A206
MAIN	J901		nsp	nsp	CORD	SN95/PB5 0.6 C3A206
MAIN	J902		nsp	nsp	CORD	SN95/PB5 0.6 C3A206
MAIN	J903		nsp	nsp	CORD	SN95/PB5 0.6 C3A206
MAIN	J904		nsp	nsp	CORD	SN95/PB5 0.6 C3A206
MAIN	J906		nsp	nsp	CORD	SN95/PB5 0.6 C3A206
MAIN	JK11		90M-YT003110R	90M-YT003110R	TERMINAL	CINCH 2P (GOLD) AUDIO CJJ4N060Z
MAIN	JK12		90M-YT004520R	90M-YT004520R	TERMINAL	CINCH 4P AUDIO GOLD CJJ4P058Z
MAIN	JK13		90M-YT004520R	90M-YT004520R	TERMINAL	CINCH 4P AUDIO GOLD CJJ4P058Z
MAIN	JK14		90M-YT004520R	90M-YT004520R	TERMINAL	CINCH 4P AUDIO GOLD CJJ4P058Z
MAIN	JK15		90M-YT003110R	90M-YT003110R	TERMINAL	CINCH 2P (GOLD) AUDIO CJJ4N060Z
MAIN	JK31		90M-YT005410R	90M-YT005410R	TERMINAL	8P SPEAKER CJJ5Q015Z
MAIN	L101		nsp	nsp	COIL	COIL TOROIDAL CLU9S004Z
MAIN	L102		nsp	nsp	COIL	COIL TOROIDAL CLU9S004Z
MAIN	L363		nsp	nsp	CORD	SN95/PB5 0.6 C3A206
MAIN	L364		nsp	nsp	CORD	SN95/PB5 0.6 C3A206
MAIN	Q281		00MHT805501B0	00MHT805501B0	TRS.	KTC2874B HVTKTC2874BT
MAIN	Q282		00MHT805501B0	00MHT805501B0	TRS.	KTC2874B HVTKTC2874BT
MAIN	Q301		00MHT600121A0	00MHT600121A0	TRS.	KTA1268GR HVTKTA1268GRT
MAIN	Q302		00MHT600121A0	00MHT600121A0	TRS.	KTA1268GR HVTKTA1268GRT
MAIN	Q303		00MHT800931A0	00MHT800931A0	TRS.	KTC3200GR-AT/P CVTKTC3200-GR-AT/PMT
MAIN	Q304		00MHT800931A0	00MHT800931A0	TRS.	KTC3200GR-AT/P CVTKTC3200-GR-AT/PMT
MAIN	Q305		00MHT600121A0	00MHT600121A0	TRS.	KTA1268GR HVTKTA1268GRT
MAIN	Q306		00MHT600121A0	00MHT600121A0	TRS.	KTA1268GR HVTKTA1268GRT
MAIN	Q307		00MHT800931A0	00MHT800931A0	TRS.	KTC3200GR-AT/P CVTKTC3200-GR-AT/PMT
MAIN	Q308		00MHT800931A0	00MHT800931A0	TRS.	KTC3200GR-AT/P CVTKTC3200-GR-AT/PMT
MAIN	Q309		00MHT800931A0	00MHT800931A0	TRS.	KTC3200GR-AT/P CVTKTC3200-GR-AT/PMT
MAIN	Q310		00MHT800931A0	00MHT800931A0	TRS.	KTC3200GR-AT/P CVTKTC3200-GR-AT/PMT
MAIN	Q311		00MHT600121A0	00MHT600121A0	TRS.	KTA1268GR HVTKTA1268GRT
MAIN	Q312		00MHT600121A0	00MHT600121A0	TRS.	KTA1268GR HVTKTA1268GRT
MAIN	Q313		00MHT800931A0	00MHT800931A0	TRS.	KTC3200GR-AT/P CVTKTC3200-GR-AT/PMT
MAIN	Q314		00MHT800931A0	00MHT800931A0	TRS.	KTC3200GR-AT/P CVTKTC3200-GR-AT/PMT
MAIN	Q315		00MHT600121A0	00MHT600121A0	TRS.	KTA1268GR HVTKTA1268GRT
MAIN	Q316		00MHT600121A0	00MHT600121A0	TRS.	KTA1268GR HVTKTA1268GRT
MAIN	Q325		90M-HT600030R	90M-HT600030R	TRS.	KTA1024Y HVTKTA1024YT
MAIN	Q326		90M-HT600030R	90M-HT600030R	TRS.	KTA1024Y HVTKTA1024YT
MAIN	Q335		00MHT800941B0	00MHT800941B0	TRS.	KTC3206Y HVTKTC3206YAT
MAIN	Q336		00MHT800941B0	00MHT800941B0	TRS.	KTC3206Y HVTKTC3206YAT
MAIN	Q345		00MHT334191Y0	00MHT334191Y0	TRS.	2SC3419Y HVT2SC3419Y
MAIN	Q346		00MHT334191Y0	00MHT334191Y0	TRS.	2SC3419Y HVT2SC3419Y
MAIN	Q347		00MHT800941B0	00MHT800941B0	TRS.	KTC3206Y HVTKTC3206YAT
MAIN	Q348		00MHT800941B0	00MHT800941B0	TRS.	KTC3206Y HVTKTC3206YAT
MAIN	Q349		90M-HT600030R	90M-HT600030R	TRS.	KTA1024Y HVTKTA1024YT
MAIN	Q350		90M-HT600030R	90M-HT600030R	TRS.	KTA1024Y HVTKTA1024YT
MAIN	Q351		90M-HT300940R	90M-HT300940R	TRS.	2SC4883A HVT2SC4883A
MAIN	Q352		90M-HT300940R	90M-HT300940R	TRS.	2SC4883A HVT2SC4883A
MAIN	Q353		90M-HT100690R	90M-HT100690R	TRS.	2SA1859A HVT2SA1859A
MAIN	Q354		90M-HT100690R	90M-HT100690R	TRS.	2SA1859A HVT2SA1859A
MAIN	▲Q355		943213005780M	943213005780M	TRS.	T.R, 2SC2837 (NPN, MT-100, POWER) CVT2SC2837
MAIN	▲Q356		943213005780M	943213005780M	TRS.	T.R, 2SC2837 (NPN, MT-100, POWER) CVT2SC2837
MAIN	▲Q357		943211005790M	943211005790M	TRS.	T.R, 2SA1186 (PNP, MT-100, POWER) CVT2SA1186
MAIN	▲Q358		943211005790M	943211005790M	TRS.	T.R, 2SA1186 (PNP, MT-100, POWER) CVT2SA1186
MAIN	Q371		00MHT30001000	00MHT30001000	TRS.	KTC3199Y HVTKTC3199YT
MAIN	Q372		00MHT30001000	00MHT30001000	TRS.	KTC3199Y HVTKTC3199YT
MAIN	Q379		00MHT600111B0	00MHT600111B0	TRS.	KTA1267Y HVTKTA1267YT
MAIN	Q385		00MHT30001000	00MHT30001000	TRS.	KTC3199Y HVTKTC3199YT
MAIN	Q386		00MHT600111B0	00MHT600111B0	TRS.	KTA1267Y HVTKTA1267YT

NOTE : "nsp" PART IS LISTED FOR REFERENCE ONLY, D&M WILL NOT SUPPLY THESE PARTS.

P.W.B. NAME	POS. NO.	VERS. COLOR	PART NO. (FOR EUR)	PART NO. (MZ)	PART NAME	DESCRIPTION	
MAIN	Q391		00MHT600111B0	00MHT600111B0	TRS.	KTA1267Y	HVTKTA1267YT
MAIN	Q392		00MHT30001000	00MHT30001000	TRS.	KTC3199Y	HVTKTC3199YT
MAIN	Q393		00MHT30001000	00MHT30001000	TRS.	KTC3199Y	HVTKTC3199YT
MAIN	Q394		00MHT30001000	00MHT30001000	TRS.	KTC3199Y	HVTKTC3199YT
MAIN	Q917		90M-HT800050R	90M-HT800050R	TRS.	KTC3198Y	HVTKTC3198YT
MAIN	Q918		00MHT600111B0	00MHT600111B0	TRS.	KTA1267Y	HVTKTA1267YT
MAIN	Q919		90M-HT800050R	90M-HT800050R	TRS.	KTC3198Y	HVTKTC3198YT
MAIN	Q920		90M-HT800050R	90M-HT800050R	TRS.	KTC3198Y	HVTKTC3198YT
MAIN	▲Q921		90M-HT800040R	90M-HT800040R	TRS.	KSC2316Y	HVTKSC2316YT
MAIN	Q922		90M-HT800050R	90M-HT800050R	TRS.	KTC3198Y	HVTKTC3198YT
MAIN	Q923		90M-HT800050R	90M-HT800050R	TRS.	KTC3198Y	HVTKTC3198YT
MAIN	Q924		90M-BA001450R	90M-BA001450R	TRS.	KRA107M	HVTKRA107MT
MAIN	R101		00MGD05101160	00MGD05101160	RES.	100 OHM 1/6W J CARBON	CRD20TJ101T
MAIN	R102		00MGD05101160	00MGD05101160	RES.	100 OHM 1/6W J CARBON	CRD20TJ101T
MAIN	R103		00MGD05104160	00MGD05104160	RES.	100K OHM 1/6W J CARBON	CRD20TJ104T
MAIN	R104		00MGD05104160	00MGD05104160	RES.	100K OHM 1/6W J CARBON	CRD20TJ104T
MAIN	R105		00MGD05104160	00MGD05104160	RES.	100K OHM 1/6W J CARBON	CRD20TJ104T
MAIN	R106		00MGD05104160	00MGD05104160	RES.	100K OHM 1/6W J CARBON	CRD20TJ104T
MAIN	R109		00MGD05101160	00MGD05101160	RES.	100 OHM 1/6W J CARBON	CRD20TJ101T
MAIN	R110		00MGD05101160	00MGD05101160	RES.	100 OHM 1/6W J CARBON	CRD20TJ101T
MAIN	R111		00MGD05823160	00MGD05823160	RES.	82K OHM 1/6W J CARBON	CRD20TJ823T
MAIN	R112		00MGD05823160	00MGD05823160	RES.	82K OHM 1/6W J CARBON	CRD20TJ823T
MAIN	R113		00MGD05682160	00MGD05682160	RES.	6.8K OHM 1/6W J CARBON	CRD20TJ682T
MAIN	R114		00MGD05682160	00MGD05682160	RES.	6.8K OHM 1/6W J CARBON	CRD20TJ682T
MAIN	R115		00MGD05101160	00MGD05101160	RES.	100 OHM 1/6W J CARBON	CRD20TJ101T
MAIN	R116		00MGD05101160	00MGD05101160	RES.	100 OHM 1/6W J CARBON	CRD20TJ101T
MAIN	R117		00MGD05331160	00MGD05331160	RES.	330 OHM 1/6W J CARBON	CRD20TJ331T
MAIN	R118		00MGD05331160	00MGD05331160	RES.	330 OHM 1/6W J CARBON	CRD20TJ331T
MAIN	R119		00MGD05104160	00MGD05104160	RES.	100K OHM 1/6W J CARBON	CRD20TJ104T
MAIN	R120		00MGD05104160	00MGD05104160	RES.	100K OHM 1/6W J CARBON	CRD20TJ104T
MAIN	R121		00MGD05047160	00MGD05047160	RES.	4.7 OHM 1/6W J CARBON	CRD20TJ47T
MAIN	R122		00MGD05047160	00MGD05047160	RES.	4.7 OHM 1/6W J CARBON	CRD20TJ47T
MAIN	R201		00MGD05221160	00MGD05221160	RES.	220 OHM 1/6W J CARBON	CRD20TJ221T
MAIN	R202		00MGD05221160	00MGD05221160	RES.	220 OHM 1/6W J CARBON	CRD20TJ221T
MAIN	R203		00MGD05221160	00MGD05221160	RES.	220 OHM 1/6W J CARBON	CRD20TJ221T
MAIN	R204		00MGD05221160	00MGD05221160	RES.	220 OHM 1/6W J CARBON	CRD20TJ221T
MAIN	R205		00MGD05221160	00MGD05221160	RES.	220 OHM 1/6W J CARBON	CRD20TJ221T
MAIN	R206		00MGD05221160	00MGD05221160	RES.	220 OHM 1/6W J CARBON	CRD20TJ221T
MAIN	R207		00MGD05221160	00MGD05221160	RES.	220 OHM 1/6W J CARBON	CRD20TJ221T
MAIN	R208		00MGD05221160	00MGD05221160	RES.	220 OHM 1/6W J CARBON	CRD20TJ221T
MAIN	R209		00MGD05100160	00MGD05100160	RES.	10 OHM 1/6W J CARBON	CRD20TJ100T
MAIN	R210		00MGD05100160	00MGD05100160	RES.	10 OHM 1/6W J CARBON	CRD20TJ100T
MAIN	R211		00MGD05221160	00MGD05221160	RES.	220 OHM 1/6W J CARBON	CRD20TJ221T
MAIN	R212		00MGD05221160	00MGD05221160	RES.	220 OHM 1/6W J CARBON	CRD20TJ221T
MAIN	R213		00MGD05100160	00MGD05100160	RES.	10 OHM 1/6W J CARBON	CRD20TJ100T
MAIN	R214		00MGD05100160	00MGD05100160	RES.	10 OHM 1/6W J CARBON	CRD20TJ100T
MAIN	R215		00MGD05563160	00MGD05563160	RES.	56K OHM 1/6W J CARBON	CRD20TJ563T
MAIN	R216		00MGD05563160	00MGD05563160	RES.	56K OHM 1/6W J CARBON	CRD20TJ563T
MAIN	R217		00MGD05331160	00MGD05331160	RES.	330 OHM 1/6W J CARBON	CRD20TJ331T
MAIN	R218		00MGD05331160	00MGD05331160	RES.	330 OHM 1/6W J CARBON	CRD20TJ331T
MAIN	R219		00MGD05473160	00MGD05473160	RES.	47K OHM 1/6W J CARBON	CRD20TJ473T
MAIN	R220		00MGD05473160	00MGD05473160	RES.	47K OHM 1/6W J CARBON	CRD20TJ473T
MAIN	R221		00MGD05105160	00MGD05105160	RES.	1M OHM 1/6W J CARBON	CRD20TJ105T
MAIN	R222		00MGD05105160	00MGD05105160	RES.	1M OHM 1/6W J CARBON	CRD20TJ105T
MAIN	R223		00MGD05105160	00MGD05105160	RES.	1M OHM 1/6W J CARBON	CRD20TJ105T
MAIN	R224		00MGD05105160	00MGD05105160	RES.	1M OHM 1/6W J CARBON	CRD20TJ105T
MAIN	R225		00MGD05105160	00MGD05105160	RES.	1M OHM 1/6W J CARBON	CRD20TJ105T
MAIN	R226		00MGD05105160	00MGD05105160	RES.	1M OHM 1/6W J CARBON	CRD20TJ105T
MAIN	R227		00MGD05105160	00MGD05105160	RES.	1M OHM 1/6W J CARBON	CRD20TJ105T
MAIN	R228		00MGD05105160	00MGD05105160	RES.	1M OHM 1/6W J CARBON	CRD20TJ105T
MAIN	R229		00MGD05105160	00MGD05105160	RES.	1M OHM 1/6W J CARBON	CRD20TJ105T
MAIN	R230		00MGD05105160	00MGD05105160	RES.	1M OHM 1/6W J CARBON	CRD20TJ105T
MAIN	R231		00MGD05105160	00MGD05105160	RES.	1M OHM 1/6W J CARBON	CRD20TJ105T
MAIN	R232		00MGD05105160	00MGD05105160	RES.	1M OHM 1/6W J CARBON	CRD20TJ105T
MAIN	R233		00MGD05105160	00MGD05105160	RES.	1M OHM 1/6W J CARBON	CRD20TJ105T

NOTE : "nsp" PART IS LISTED FOR REFERENCE ONLY, D&M WILL NOT SUPPLY THESE PARTS.

P.W.B. NAME	POS. NO.	VERS. COLOR	PART NO. (FOR EUR)	PART NO. (MZ)	PART NAME	DESCRIPTION
MAIN	R234		00MGD05105160	00MGD05105160	RES.	1M OHM 1/6W J CARBON CRD20TJ105T
MAIN	R235		00MGD05102160	00MGD05102160	RES.	1K OHM 1/6W J CARBON CRD20TJ102T
MAIN	R236		00MGD05102160	00MGD05102160	RES.	1K OHM 1/6W J CARBON CRD20TJ102T
MAIN	R237		00MGD05102160	00MGD05102160	RES.	1K OHM 1/6W J CARBON CRD20TJ102T
MAIN	R238		00MGD05102160	00MGD05102160	RES.	1K OHM 1/6W J CARBON CRD20TJ102T
MAIN	R239		00MGD05047160	00MGD05047160	RES.	4.7 OHM 1/6W J CARBON CRD20TJ4R7T
MAIN	R240		00MGD05047160	00MGD05047160	RES.	4.7 OHM 1/6W J CARBON CRD20TJ4R7T
MAIN	R241		00MGD05331160	00MGD05331160	RES.	330 OHM 1/6W J CARBON CRD20TJ331T
MAIN	R242		00MGD05331160	00MGD05331160	RES.	330 OHM 1/6W J CARBON CRD20TJ331T
MAIN	R243		00MGD05473160	00MGD05473160	RES.	47K OHM 1/6W J CARBON CRD20TJ473T
MAIN	R244		00MGD05473160	00MGD05473160	RES.	47K OHM 1/6W J CARBON CRD20TJ473T
MAIN	R245		00MGD05563160	00MGD05563160	RES.	56K OHM 1/6W J CARBON CRD20TJ563T
MAIN	R246		00MGD05563160	00MGD05563160	RES.	56K OHM 1/6W J CARBON CRD20TJ563T
MAIN	R247		00MGD05047160	00MGD05047160	RES.	4.7 OHM 1/6W J CARBON CRD20TJ4R7T
MAIN	R248		00MGD05047160	00MGD05047160	RES.	4.7 OHM 1/6W J CARBON CRD20TJ4R7T
MAIN	R249		00MGD05047160	00MGD05047160	RES.	4.7 OHM 1/6W J CARBON CRD20TJ4R7T
MAIN	R250		00MGD05047160	00MGD05047160	RES.	4.7 OHM 1/6W J CARBON CRD20TJ4R7T
MAIN	R251		00MGD05103160	00MGD05103160	RES.	10K OHM 1/6W J CARBON CRD20TJ103T
MAIN	R273		00MGD05121160	00MGD05121160	RES.	120 OHM 1/6W J CARBON CRD20TJ121T
MAIN	R274		00MGD05121160	00MGD05121160	RES.	120 OHM 1/6W J CARBON CRD20TJ121T
MAIN	R275		00MGD05121160	00MGD05121160	RES.	120 OHM 1/6W J CARBON CRD20TJ121T
MAIN	R278		00MGD05331160	00MGD05331160	RES.	330 OHM 1/6W J CARBON CRD20TJ331T
MAIN	R279		00MGD05331160	00MGD05331160	RES.	330 OHM 1/6W J CARBON CRD20TJ331T
MAIN	R280		00MGD05103160	00MGD05103160	RES.	10K OHM 1/6W J CARBON CRD20TJ103T
MAIN	R281		00MGD05473160	00MGD05473160	RES.	47K OHM 1/6W J CARBON CRD20TJ473T
MAIN	R282		00MGD05473160	00MGD05473160	RES.	47K OHM 1/6W J CARBON CRD20TJ473T
MAIN	R283		00MGD05105160	00MGD05105160	RES.	1M OHM 1/6W J CARBON CRD20TJ105T
MAIN	R284		00MGD05473160	00MGD05473160	RES.	47K OHM 1/6W J CARBON CRD20TJ473T
MAIN	R285		00MGD05473160	00MGD05473160	RES.	47K OHM 1/6W J CARBON CRD20TJ473T
MAIN	R286		00MGD05471160	00MGD05471160	RES.	470 OHM 1/6W J CARBON CRD20TJ471T
MAIN	R287		00MGD05471160	00MGD05471160	RES.	470 OHM 1/6W J CARBON CRD20TJ471T
MAIN	R288		00MGD05101160	00MGD05101160	RES.	100 OHM 1/6W J CARBON CRD20TJ101T
MAIN	R289		00MGD05101160	00MGD05101160	RES.	100 OHM 1/6W J CARBON CRD20TJ101T
MAIN	R290		943125004120S	943125004120S	RES.	470 OHM 1/2W METAL CRG12SANJ471T
MAIN	R291		943125004120S	943125004120S	RES.	470 OHM 1/2W METAL CRG12SANJ471T
MAIN	R292		943125004120S	943125004120S	RES.	470 OHM 1/2W METAL CRG12SANJ471T
MAIN	R293		943125004120S	943125004120S	RES.	470 OHM 1/2W METAL CRG12SANJ471T
MAIN	R294		943125004120S	943125004120S	RES.	470 OHM 1/2W METAL CRG12SANJ471T
MAIN	R295		943125004120S	943125004120S	RES.	470 OHM 1/2W METAL CRG12SANJ471T
MAIN	R296		nsp	nsp	CORD	SN95/PB5 0.6 C3A206
MAIN	R297		nsp	nsp	CORD	SN95/PB5 0.6 C3A206
MAIN	R298		nsp	nsp	RES METAL	RES, METAL OXIDE FILM (2W,1K) CRG2SANJ102RT
MAIN	R299		nsp	nsp	RES METAL	RES, METAL OXIDE FILM (2W,1K) CRG2SANJ102RT
MAIN	R300		00MGD05220160	00MGD05220160	RES.	22 OHM 1/6W J CARBON CRD20TJ220T
MAIN	R301		00MGD05220160	00MGD05220160	RES.	22 OHM 1/6W J CARBON CRD20TJ220T
MAIN	R302		00MGD05220160	00MGD05220160	RES.	22 OHM 1/6W J CARBON CRD20TJ220T
MAIN	R303		00MGD05220160	00MGD05220160	RES.	22 OHM 1/6W J CARBON CRD20TJ220T
MAIN	R304		00MGD05101160	00MGD05101160	RES.	100 OHM 1/6W J CARBON CRD20TJ101T
MAIN	R305		00MGD05101160	00MGD05101160	RES.	100 OHM 1/6W J CARBON CRD20TJ101T
MAIN	R306		00MGD05333160	00MGD05333160	RES.	33K OHM 1/6W J CARBON CRD20TJ333T
MAIN	R307		00MGD05333160	00MGD05333160	RES.	33K OHM 1/6W J CARBON CRD20TJ333T
MAIN	R308		00MGD05153160	00MGD05153160	RES.	15K OHM 1/6W J CARBON CRD20TJ153T
MAIN	R309		00MGD05153160	00MGD05153160	RES.	15K OHM 1/6W J CARBON CRD20TJ153T
MAIN	R310		nsp	nsp	RES METAL	RES, METAL OXIDE FILM (2W,1K) CRG2SANJ102RT
MAIN	R311		nsp	nsp	RES METAL	RES, METAL OXIDE FILM (2W,1K) CRG2SANJ102RT
MAIN	R312		00MGD05153160	00MGD05153160	RES.	15K OHM 1/6W J CARBON CRD20TJ153T
MAIN	R313		00MGD05153160	00MGD05153160	RES.	15K OHM 1/6W J CARBON CRD20TJ153T
MAIN	R314		nsp	nsp	RES.	470 OHM 1/4W J CARBON CRD25FJ471T
MAIN	R315		nsp	nsp	RES.	470 OHM 1/4W J CARBON CRD25FJ471T
MAIN	R316		00MGD05220160	00MGD05220160	RES.	22 OHM 1/6W J CARBON CRD20TJ220T
MAIN	R317		00MGD05220160	00MGD05220160	RES.	22 OHM 1/6W J CARBON CRD20TJ220T
MAIN	R318		00MGD05220160	00MGD05220160	RES.	22 OHM 1/6W J CARBON CRD20TJ220T
MAIN	R319		00MGD05220160	00MGD05220160	RES.	22 OHM 1/6W J CARBON CRD20TJ220T
MAIN	R320		nsp	nsp	RES.	470 OHM 1/4W J CARBON CRD25FJ471T
MAIN	R321		nsp	nsp	RES.	470 OHM 1/4W J CARBON CRD25FJ471T

NOTE : "nsp" PART IS LISTED FOR REFERENCE ONLY, D&M WILL NOT SUPPLY THESE PARTS.

P.W.B. NAME	POS. NO.	VERS. COLOR	PART NO. (FOR EUR)	PART NO. (MZ)	PART NAME	DESCRIPTION
MAIN	R322		00MGD05105160	00MGD05105160	RES.	1M OHM 1/6W J CARBON CRD20TJ105T
MAIN	R323		00MGD05105160	00MGD05105160	RES.	1M OHM 1/6W J CARBON CRD20TJ105T
MAIN	R324		00MGD05105160	00MGD05105160	RES.	1M OHM 1/6W J CARBON CRD20TJ105T
MAIN	R325		00MGD05105160	00MGD05105160	RES.	1M OHM 1/6W J CARBON CRD20TJ105T
MAIN	R327		nsp	nsp	RES.	150 OHM 1/4 J CARBON CRD25FJ151T
MAIN	R328		nsp	nsp	RES.	150 OHM 1/4 J CARBON CRD25FJ151T
MAIN	R333		nsp	nsp	RES.	910 OHM 1/6W J CARBON CRD20TJ911T
MAIN	R334		nsp	nsp	RES.	910 OHM 1/6W J CARBON CRD20TJ911T
MAIN	R335		nsp	nsp	RES.	150 OHM 1/4 J CARBON CRD25FJ151T
MAIN	R336		nsp	nsp	RES.	150 OHM 1/4 J CARBON CRD25FJ151T
MAIN	▲R337		943121006200M	943121006200M	RES.	4.7 OHM 1/4W CARBON FILM FLAM RETARDANT CRD25FJ4R7T
MAIN	▲R338		943121006200M	943121006200M	RES.	4.7 OHM 1/4W CARBON FILM FLAM RETARDANT CRD25FJ4R7T
MAIN	▲R339		943121006200M	943121006200M	RES.	4.7 OHM 1/4W CARBON FILM FLAM RETARDANT CRD25FJ4R7T
MAIN	▲R340		943121006200M	943121006200M	RES.	4.7 OHM 1/4W CARBON FILM FLAM RETARDANT CRD25FJ4R7T
MAIN	R341		00MGD05102160	00MGD05102160	RES.	1K OHM 1/6W J CARBON CRD20TJ102T
MAIN	R342		00MGD05102160	00MGD05102160	RES.	1K OHM 1/6W J CARBON CRD20TJ102T
MAIN	R343		00MGD05472160	00MGD05472160	RES.	4.7K OHM 1/6W J CARBON CRD20TJ472T
MAIN	R344		00MGD05472160	00MGD05472160	RES.	4.7K OHM 1/6W J CARBON CRD20TJ472T
MAIN	R345		nsp (90M-NH000140R)	nsp (90M-NH000140R)	RES.	100 OHM 1/4W CARBON CRD25FJ101T
MAIN	R346		nsp (90M-NH000140R)	nsp (90M-NH000140R)	RES.	100 OHM 1/4W CARBON CRD25FJ101T
MAIN	R347		nsp (90M-NH000140R)	nsp (90M-NH000140R)	RES.	100 OHM 1/4W CARBON CRD25FJ101T
MAIN	R348		nsp (90M-NH000140R)	nsp (90M-NH000140R)	RES.	100 OHM 1/4W CARBON CRD25FJ101T
MAIN	R349		nsp	nsp	RES.	47 OHM 1/4W J CARBON CRD25FJ470T
MAIN	R350		nsp	nsp	RES.	47 OHM 1/4W J CARBON CRD25FJ470T
MAIN	R351		nsp	nsp	RES.	47 OHM 1/4W J CARBON CRD25FJ470T
MAIN	R352		nsp	nsp	RES.	47 OHM 1/4W J CARBON CRD25FJ470T
MAIN	▲R353		943121006190M	943121006190M	RES.	220 OHM 1/4W CARBON FILM FLAM RETARDANT CRD25FJ4R7T
MAIN	▲R354		943121006190M	943121006190M	RES.	220 OHM 1/4W CARBON FILM FLAM RETARDANT CRD25FJ221T
MAIN	▲R355		00MGG05100160	00MGG05100160	RES.	10 OHM 1/6 W CARBON FILM FLAM RETARDANT CRG14SANJ100CLPS
MAIN	▲R356		00MGG05100160	00MGG05100160	RES.	10 OHM 1/6 W CARBON FILM FLAM RETARDANT CRG14SANJ100CLPS
MAIN	▲R357		00MGG05100160	00MGG05100160	RES.	10 OHM 1/6 W CARBON FILM FLAM RETARDANT CRG14SANJ100CLPS
MAIN	▲R358		00MGG05100160	00MGG05100160	RES.	10 OHM 1/6 W CARBON FILM FLAM RETARDANT CRG14SANJ100CLPS
MAIN	R359		943129005800M	943129005800M	RES CEMENT	RES, CEMENT (SMALL SIZE) CRF5EKR10HS
MAIN	R360		943129005800M	943129005800M	RES CEMENT	RES, CEMENT (SMALL SIZE) CRF5EKR10HS
MAIN	R361		943129005800M	943129005800M	RES CEMENT	RES, CEMENT (SMALL SIZE) CRF5EKR10HS
MAIN	R362		943129005800M	943129005800M	RES CEMENT	RES, CEMENT (SMALL SIZE) CRF5EKR10HS
MAIN	R363		nsp	nsp	CORD	SN95/PB5 0.6 C3A206
MAIN	R364		nsp	nsp	CORD	SN95/PB5 0.6 C3A206
MAIN	R365		nsp	nsp	CORD	SN95/PB5 0.6 C3A206
MAIN	R366		nsp	nsp	CORD	SN95/PB5 0.6 C3A206
MAIN	R367		nsp	nsp	RES.	10 OHM 2W METAL OXIDE FILM CRG2SANJ100RT
MAIN	R368		nsp	nsp	RES.	10 OHM 2W METAL OXIDE FILM CRG2SANJ100RT
MAIN	R371		00MGD05102160	00MGD05102160	RES.	1K OHM 1/6W J CARBON CRD20TJ102T
MAIN	R372		00MGD05102160	00MGD05102160	RES.	1K OHM 1/6W J CARBON CRD20TJ102T
MAIN	R373		00MGD05223160	00MGD05223160	RES.	22K OHM 1/6W J CARBON CRD20TJ223T
MAIN	R374		00MGD05223160	00MGD05223160	RES.	22K OHM 1/6W J CARBON CRD20TJ223T
MAIN	R375		00MGD05152160	00MGD05152160	RES.	1.5K OHM 1/6W J CARBON CRD20TJ152T
MAIN	R376		00MGD05152160	00MGD05152160	RES.	1.5K OHM 1/6W J CARBON CRD20TJ152T
MAIN	R377		00MGD05223160	00MGD05223160	RES.	22K OHM 1/6W J CARBON CRD20TJ223T
MAIN	R378		00MGD05223160	00MGD05223160	RES.	22K OHM 1/6W J CARBON CRD20TJ223T
MAIN	R379		00MGD05682160	00MGD05682160	RES.	6.8K OHM 1/6W J CARBON CRD20TJ682T
MAIN	R381		00MGD05333160	00MGD05333160	RES.	33K OHM 1/6W J CARBON CRD20TJ333T
MAIN	R382		00MGD05333160	00MGD05333160	RES.	33K OHM 1/6W J CARBON CRD20TJ333T
MAIN	R383		00MGD05682160	00MGD05682160	RES.	6.8K OHM 1/6W J CARBON CRD20TJ682T
MAIN	R385		00MGD05103160	00MGD05103160	RES.	10K OHM 1/6W J CARBON CRD20TJ103T
MAIN	R386		00MGD05103160	00MGD05103160	RES.	10K OHM 1/6W J CARBON CRD20TJ103T
MAIN	R387		00MGD05103160	00MGD05103160	RES.	10K OHM 1/6W J CARBON CRD20TJ103T
MAIN	R388		00MGD05333160	00MGD05333160	RES.	33K OHM 1/6W J CARBON CRD20TJ333T
MAIN	R389		00MGD05333160	00MGD05333160	RES.	33K OHM 1/6W J CARBON CRD20TJ333T
MAIN	R390		nsp	nsp	RES	RES, CARBON CRD25TJ820T
MAIN	R391		00MGD05333160	00MGD05333160	RES.	33K OHM 1/6W J CARBON CRD20TJ333T
MAIN	R392		00MGD05183160	00MGD05183160	RES.	18K OHM 1/6W J CARBON CRD20TJ183T

NOTE : "nsp" PART IS LISTED FOR REFERENCE ONLY, D&M WILL NOT SUPPLY THESE PARTS.

P.W.B. NAME	POS. NO.	VERS. COLOR	PART NO. (FOR EUR)	PART NO. (MZ)	PART NAME	DESCRIPTION
MAIN	R393		00MGD05103160	00MGD05103160	RES.	10K OHM 1/6W J CARBON CRD20TJ103T
MAIN	R394		00MGD05473160	00MGD05473160	RES.	47K OHM 1/6W J CARBON CRD20TJ473T
MAIN	R395		00MGD05103160	00MGD05103160	RES.	10K OHM 1/6W J CARBON CRD20TJ103T
MAIN	R396		00MGD05473160	00MGD05473160	RES.	47K OHM 1/6W J CARBON CRD20TJ473T
MAIN	R397		00MGD05103160	00MGD05103160	RES.	10K OHM 1/6W J CARBON CRD20TJ103T
MAIN	R398		00MGD05473160	00MGD05473160	RES.	47K OHM 1/6W J CARBON CRD20TJ473T
MAIN	R399		nsp	nsp	RES	RES, CARBON CRD25TJ820T
MAIN	R400		nsp	nsp	RES	RES, CARBON CRD25TJ820T
MAIN	R691		nsp	nsp	RES.	330 OHM 1W METAL OXIDE FILM CRG1ANJ331H
MAIN	R692		nsp	nsp	RES.	330 OHM 1W METAL OXIDE FILM CRG1ANJ331H
MAIN	R905		nsp	nsp	RES.	22K OHM 1/4W J CARBON CRD25TJ223T
MAIN	R906		nsp	nsp	RES.	22K OHM 1/4W J CARBON CRD25TJ223T
MAIN	▲R911		943121006180M	943121006180M	RES.	1 OHM 1/4W CARBON FILM FLAM RETARDANT CRD25FJ1R0T
MAIN	▲R912		943121006180M	943121006180M	RES.	1 OHM 1/4W CARBON FILM FLAM RETARDANT CRD25FJ1R0T
MAIN	R913		00MGD05472160	00MGD05472160	RES.	4.7K OHM 1/6W J CARBON CRD20TJ472T
MAIN	R914		00MGD05223160	00MGD05223160	RES.	22K OHM 1/6W J CARBON CRD20TJ223T
MAIN	R915		00MGD05473160	00MGD05473160	RES.	47K OHM 1/6W J CARBON CRD20TJ473T
MAIN	R918		nsp	nsp	RES.	180 OHM 1/4W J CARBON CRD25TJ181T
MAIN	R919		00MGD05223160	00MGD05223160	RES.	22K OHM 1/6W J CARBON CRD20TJ223T
MAIN	R920		00MGD05223160	00MGD05223160	RES.	22K OHM 1/6W J CARBON CRD20TJ223T
MAIN	R921		00MGD05122160	00MGD05122160	RES.	1.2K OHM 1/6W J CARBON CRD20TJ122T
MAIN	R922		00MGD05102160	00MGD05102160	RES.	1K OHM 1/6W J CARBON CRD20TJ102T
MAIN	R923		00MGD05333160	00MGD05333160	RES.	33K OHM 1/6W J CARBON CRD20TJ333T
MAIN	R924		00MGD05223160	00MGD05223160	RES.	22K OHM 1/6W J CARBON CRD20TJ223T
MAIN	R925		00MGD05223160	00MGD05223160	RES.	22K OHM 1/6W J CARBON CRD20TJ223T
MAIN	R926		00MGD05223160	00MGD05223160	RES.	22K OHM 1/6W J CARBON CRD20TJ223T
MAIN	R927		00MGD05103160	00MGD05103160	RES.	10K OHM 1/6W J CARBON CRD20TJ103T
MAIN	R928		00MGD05103160	00MGD05103160	RES.	10K OHM 1/6W J CARBON CRD20TJ103T
MAIN	R929		00MGD05103160	00MGD05103160	RES.	10K OHM 1/6W J CARBON CRD20TJ103T
MAIN	R939		00MGD05472160	00MGD05472160	RES.	4.7K OHM 1/6W J CARBON CRD20TJ472T
MAIN	R940		00MGD05202160	00MGD05202160	RES.	2K OHM 1/6W J CARBON CRD20TJ202T
MAIN	R941		00MGD05153160	00MGD05153160	RES.	15K OHM 1/6W J CARBON CRD20TJ153T
MAIN	R942		00MGD05103160	00MGD05103160	RES.	10K OHM 1/6W J CARBON CRD20TJ103T
MAIN	R943		00MGD05153160	00MGD05153160	RES.	15K OHM 1/6W J CARBON CRD20TJ153T
MAIN	R944		00MGD05223160	00MGD05223160	RES.	22K OHM 1/6W J CARBON CRD20TJ223T
MAIN	R945		00MGD05223160	00MGD05223160	RES.	22K OHM 1/6W J CARBON CRD20TJ223T
MAIN	R946		00MGD05223160	00MGD05223160	RES.	22K OHM 1/6W J CARBON CRD20TJ223T
MAIN	R947		00MGD05103160	00MGD05103160	RES.	10K OHM 1/6W J CARBON CRD20TJ103T
MAIN	R948		00MGD05153160	00MGD05153160	RES.	15K OHM 1/6W J CARBON CRD20TJ153T
MAIN	R949		00MGD05153160	00MGD05153160	RES.	15K OHM 1/6W J CARBON CRD20TJ153T
MAIN	R950		00MGD05153160	00MGD05153160	RES.	15K OHM 1/6W J CARBON CRD20TJ153T
MAIN	R951		00MGD05153160	00MGD05153160	RES.	15K OHM 1/6W J CARBON CRD20TJ153T
MAIN	R952		00MGD05333160	00MGD05333160	RES.	33K OHM 1/6W J CARBON CRD20TJ333T
MAIN	R953		00MGD05103160	00MGD05103160	RES.	10K OHM 1/6W J CARBON CRD20TJ103T
MAIN	RY31		943682000810S	943682000810S	RELAY	BC3-12H 12V 2C2P CSL4A016ZU
MAIN	RY32		90M-LY000330R	90M-LY000330R	RELAY	OSA-SS-212DM3 HSL4A004ZU
MAIN	RY33		90M-LY000330R	90M-LY000330R	RELAY	OSA-SS-212DM3 HSL4A004ZU
MAIN	TH91		90M-HP000090R	90M-HP000090R	VARISTOR	POSISTOR ASSY CRTSYSPX06850JD
MAIN	VR31		90M-RA001100R	90M-RA001100R	TRIM. RES.	220 OHM CVN1RA221B02T
MAIN	VR32		90M-RA001100R	90M-RA001100R	TRIM. RES.	220 OHM CVN1RA221B02T
MAIN			nsp	nsp	BRACKET	A4-97-2814 CMD1A366
MAIN			nsp	nsp	BRACKET	A4-97-2815 CMD1A367
MAIN		K1SG	nsp	nsp	HEATSINK	HEAT SINK CMY2A223
MAIN		K1SG	nsp	nsp	HEATSINK	HEAT SINK CMY2A223
MAIN		N1B	nsp	nsp	HEATSINK	HEAT SINK CMY2A223
MAIN		N1B	nsp	nsp	HEATSINK	HEAT SINK CMY2A223
MAIN		N1SG	nsp	nsp	HEATSINK	HEAT SINK CMY2A223
MAIN		N1SG	nsp	nsp	HEATSINK	HEAT SINK CMY2A223
MAIN			nsp	nsp	HEAT SINK	HEAT SINK CMY2A286
MAIN		K1SG	nsp	nsp	SCREW	SCREW CTB3+8JR
MAIN		K1SG	nsp	nsp	SCREW	SCREW CTB3+8JR
MAIN		K1SG	nsp	nsp	SCREW	SCREW CTB3+8JR
MAIN		N1B	nsp	nsp	SCREW	SCREW CTB3+8JR
MAIN		N1B	nsp	nsp	SCREW	SCREW CTB3+8JR
MAIN		N1B	nsp	nsp	SCREW	SCREW CTB3+8JR

NOTE : "nsp" PART IS LISTED FOR REFERENCE ONLY, D&M WILL NOT SUPPLY THESE PARTS.

P.W.B. NAME	POS. NO.	VERS. COLOR	PART NO. (FOR EUR)	PART NO. (MZ)	PART NAME	DESCRIPTION
MAIN		N1SG	nsp	nsp	SCREW	SCREW CTB3+8JR
MAIN		N1SG	nsp	nsp	SCREW	SCREW CTB3+8JR
MAIN		N1SG	nsp	nsp	SCREW	SCREW CTB3+8JR
MAIN			nsp	nsp	PCB	PCB, MAIN PM6003 (297X247, FR1/1) CUP12184Z
MAIN			00MHC3891599F	00MHC3891599F	IC	KIA7815API/P CVIKIA7815APIUPF
MAIN			00MHC3991599F	00MHC3991599F	IC	KIA7915PI-U/P CVIKIA7915PI
MAIN			nsp	nsp	HEAT SINK	HEATSINK ASS'Y CMYPM6003

NOTE : "nsp" PART IS LISTED FOR REFERENCE ONLY, D&M WILL NOT SUPPLY THESE PARTS.

11. ABOUT REPLACE THE MICROPROCESSOR WITH A NEW ONE

When replaced of the U-PRO (Microprocessor) or the Flash ROM, confirm contents of the following.

PWB Name	Pos. No.	Description	After replaced	Remark
U-PRO	IC61	TMP86FH12MG MAIN CPU PM6003	B	

After replaced

A : Mask ROM (With software). No need write-in of software to the microprocessor.

B : Flash ROM (With software). Usually, no need write-in of software. But, when the software was updated, you should be write-in of the new software to the microprocessor or flash ROM. Please check the software version.

C : Empty Flash ROM (Without software). You should be write-in of the software to the microprocessor or flash ROM.

Refer to "Update procedure" or "writing procedure", when you should be write-in the software.

マイコン等を交換した場合の対応について

U-PRO (マイコン)およびFlash ROM等を交換した場合の対応方法を下記に記載します。

PWB Name	Pos. No.	Description	交換時の対応	備考
U-PRO	IC61	TMP86FH12MG MAIN CPU PM6003	B	

交換時の対応

A : Mask ROM (ソフトウェア書き込み済み) 交換時にソフトウェアの書き込みは必要ありません。

B : Flash ROM (ソフトウェア書き込み済み) バージョンアップにより交換時にソフトウェアの書き換えが必要な場合があります。バージョンの確認をしてください。

C : 空ROM (Flash ROM) 交換時必ずソフトウェアの書き込みが必要になります。Update、書き込み方法を参照してください。